

COVENANT PLAYERS UK TRUST

England & Wales · Charity number 1059359

Details

Other names COVENANT PLAYERS

Status Registered

Legal form Trust

Registered 1996-11-22

Register [View on the Charity Commission register](#)

Contact

Address 42 Lon Gwenant
Pontrhydyrun
Cwmbran
Gwent
NP44 1FD

Phone 07949 645 838

Email cp.bio@covenantplayers.org

Website www.covenantplayers.org

Activities

Objects: (A) TO ADVANCE THE CHRISTIAN FAITH IN ACCORDANCE WITH THE STATEMENT OF BELIEFS APPEARING IN THE SCHEDULE OF THE DEED HERETO PARTICULARLY THROUGH THE PRODUCTION AND PERFORMANCE OF DRAMA AND OTHER MEDIA TO PROMOTE CHRISTIAN TEACHINGS, PRINCIPLES, VALUES AND MORES IN THE UNITED KINGDOM AND ELSEWHERE AS THE TRUSTEES MAY FROM TIME TO TIME THINK FIT. (B) TO ADVANCE EDUCATION OF THE PUBLIC PARTICULARLY IN THE AREA OF RELIGIOUS BELIEFS AND MORES IN THE UNITED KINGDOM AND ELSEWHERE AS THE TRUSTEES MAY FROM TIME TO TIME THINK FIT.

Activities: Covenant Players is an international Christian repertory theatre company. We are a communications and educational resource, providing performances and training in service to the church, schools, prisons and diverse organisations across the wider community.

Classification

- **How:** Provides Services
- **What:** Education/training, Disability, Religious Activities, Arts/culture/heritage/science, Human Rights/religious Or Racial Harmony/equality Or Diversity
- **Who:** Children/young People, Elderly/old People, People With Disabilities, Other Charities Or Voluntary Bodies, Other Defined Groups, The General Public/mankind

Geography

- **Area of benefit:** THE UNITED KINGDOM AND ELSEWHERE
- France
- Germany
- Ireland
- Luxembourg
- Northern Ireland
- Scotland

Finances

Period end	Income	Expenditure	Assets	Employees
2024-12-31	£25,834	£27,605	-	-
2023-12-31	£34,524	£35,862	-	-
2022-12-31	£30,396	£31,264	-	-
2021-12-31	£25,402	£28,239	-	-
2020-12-31	£25,174	£23,430	-	-

Trustees

Name	Role	Appointed
DEBORAH CHRISTINE ALLEN		2020-10-28
EILEEN LOCK		
ROBIN M JOHNSON-TANNER		
TIMOTHY LLOYD MARTIN		

COVENANT PLAYERS UK TRUST

England & Wales - Charity number 1059359

Accounts

Covenant Players (UK) Trust

End of Year Financial Statements & Annual Report

Year ending 31 December 2024



Founder

Charles M. Tanner

International Director

Bobbi M. Johnson-Tanner

Trustees

Deborah Allen

Bobbi M. Johnson-Tanner

Eileen Lock

Timothy Martin

Officer

Deborah Allen -

National Director

Bankers

Barclays Bank PLC

Leicester

LE87 2BB

Tel. (0345) 734 5345

Independent Examiner

Mr Ken Bailey

Pembroke House

Lower Park Terrace

Pontypool, NP4 6LB

Tel. (01495) 753 767

ADDRESS FROM APRIL 2025:

Covenant Players (UK)
Trust
42 Lon Gwenant
Ponrhydyrun
Cwmbran
NP44 1FD

Registered Charity No.
1059359

Since 1963...

Covenant Players

*...drama that touches the heart,
the mind and the soul.*

Introduction:

Covenant Players is a professional theatre company, fielding touring troupes which perform the original theme-based plays of Charles M. Tanner in service to the leadership of churches, schools, social service agencies, community and government organisations.

Covenant Players ...

- “ seeks to challenge people to a deeper walk in faith and action
- “ has served in 78 countries
- “ has performed in 29 languages
- “ has given over 2,000,000 performances world-wide.

Governing Document: **Deed of Trust dated 30th October 1996**

Covenant Players is registered with the Charity Commission of England and Wales as a charity set up for the advancement of the Christian Religion and the advancement of Education.

The objects of the Trust are:

- to advance the Christian faith, particularly through the production and performance of drama and other media to promote Christian teachings, principles, values and mores in the United Kingdom and elsewhere as the Trustees may from time to time think fit.
- to advance education of the public, particularly in the area of religious beliefs and mores in the United Kingdom and elsewhere as the Trustees may from time to time think fit.

MISSION STATEMENT

Covenant Players exists to communicate the Lord Jesus Christ through the medium of drama.

To that end we commit ourselves to:

Go where the people are.

Serve the leadership of the church and the community.

Live a life worthy of our call.

Love each other and those we serve.

In Covenant with God and one another, we dedicate ourselves to this task.

National Director's Report

2024 is a year in which we have seen some significant changes for our ministry.

In January we were able to complete on the sale of the former Covenant Players headquarters in Stahlhofen, Germany. This brought to a finish a drawn out process which began before 2020, and was made more critical as a result of the pandemic, with the closure of all possible performance venues.

By God's grace – and the generosity of our supporters – we were able to weather the storm and continue to meet our financial obligations until the sale was completed. We are deeply indebted to the Evangelische Bank, Germany, which permitted us to pay only the interest on the mortgage during the most challenging periods.

I am grateful to all the Covenant Players who worked so diligently, whilst still performing and training, to complete the clearing and moving out of the former headquarters and the transfer of all CP property to the UK. This includes being the custodians of all the play scripts in Europe. The UK office has served administratively as the headquarters for Europe since 2018.

Moving addresses and banks created a great amount of additional administration. In spring 2024 we were able to finally complete the process of transferring all the CP banking in the UK to a new Trust Account which was required by Barclays Bank. Many charities have reported that banks are making it increasingly hard for charities to operate accounts with them, and this certainly proved to be the case for us. The entire process took over 18-

months and included Barclays closing without notice our main development account, which received all the regular Standing Order gifts and donations. Through continuing regular communication with our friends and supporters, most of the committed regular gifts – which so faithfully undergird our work – were reinstated. Again, our great thanks to all those who have made that ongoing commitment – over many years.

We were blessed to have a wide variety of performances throughout the year which included schools, dinner theatre events, Church Festivals, street theatre, retreats and a youth festival.

It is a privilege to work alongside churches and other organisations to pray, plan and prepare bespoke performances, serving the needs and vision of individual groups and their leaders.

The rehearsal, preparation and performance of the plays of Charles M. Tanner remains our great joy and we continue to seek new ways in which these beautiful plays can be increasingly used and performed in the Lord's service. It is humbling to see how the Lord uses the impact of the plays to touch and change lives.

As ever, I am grateful to our trustees, for their faithful support and great love for the ministry. The trustees continue to closely watch the finances through the ongoing financial and post-pandemic challenges. We continue to seek ways to increase streams of income whilst reducing expenses.

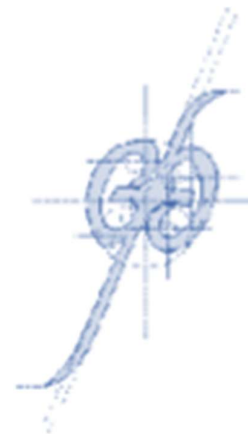
We thank you for holding trust with us throughout this year, for all the ways that you have supported us through your prayers, words of encouragement and for your generous and unstinting financial support.

Thanks also to Ken Bailey, who has graciously served as our Independent Examiner, once again.

**Deborah Allen
National Director & European Supervisor**

**Trustees:
Deborah Allen
Bobbi Johnson-Tanner
Eileen Lock
Tim Martin**

Independent Examiner: Mr Ken Bailey



Receipts and Payments Account

	Unrestricted funds	Designated funds	Restricted funds	Endowment funds	Total funds	Prior year total funds
Income and endowments from:						
Donations and legacies	—	£15,170.83	£6,663.12	—	£21,833.95	£23,588.54
Income from charitable activities	—	£1,939.60	—	—	£1,939.60	£8,041.21
Other trading activities	—	—	—	—	—	—
Other income	—	£2,060.48	—	—	£2,060.48	£2,894.17
Total income and endowments from:	—	£19,170.91	£6,663.12	—	£25,834.03	£34,523.92
Expenditure on:						
Raising funds	—	—	—	—	—	£365.43
Expenditure on charitable activities	£120.00	£16,492.75	£8,613.51	—	£25,226.26	£33,185.53
Other expenditure	—	£2,378.90	—	—	£2,378.90	£2,310.98
Total expenditure on:	£120.00	£18,871.65	£8,613.51	—	£27,605.16	£35,861.94
Net income / (expenditure)	(£120.00)	£299.26	(£1,950.39)	—	(£1,771.13)	(£1,338.02)
Transfers						
Gross transfers between funds - in	£120.00	£6,786.24	£589.13	—	£7,495.37	£4,924.59
Gross transfers between funds - out	—	(£6,906.24)	(£589.13)	—	(£7,495.37)	(£4,924.59)
Net income / (expenditure)	—	£179.26	(£1,950.39)	—	(£1,771.13)	(£1,338.02)
Other recognised gains / losses						
Gains / losses on investment assets	—	—	—	—	—	—
Gains on revaluation, fixed assets, charity's own use	—	—	—	—	—	—
Net movement in funds	—	£179.26	(£1,950.39)	—	(£1,771.13)	(£1,338.02)
Total funds brought forward	—	(£57.05)	£4,385.97	—	£4,328.92	£5,666.94
Total funds carried forward	—	£122.21	£2,435.58	—	£2,557.79	£4,328.92
Represented by						
Unrestricted						
General fund	—	—	—	—	—	—
Designated						
ATF	—	£101.12	—	—	£101.12	£101.12
BIO - Petty Cash	—	£2.36	—	—	£2.36	£2.36
BIO Medical Fund	—	£482.49	—	—	£482.49	£482.49
BIO Resources - Playbooks	—	£342.01	—	—	£342.01	£342.01
BIO Resources - Sound	—	£194.72	—	—	£194.72	£194.72
BIO Royalties & Licensing	—	£245.00	—	—	£245.00	£45.00
BIO Utility Fund	—	—	—	—	—	—
Banquet Fund	—	£331.42	—	—	£331.42	£331.42
Dev. Distribution Fund	—	£514.19	—	—	£514.19	£1,734.53
Development Operations Fund	—	£788.26	—	—	£788.26	£138.83
Development Seed Fund	—	£581.79	—	—	£581.79	£265.50
ECHO Transfer Fund	—	(£919.31)	—	—	(£919.31)	£245.11
EDevO - Petty Cash	—	£3.09	—	—	£3.09	£3.09
Food Programme Fund	—	£80.00	—	—	£80.00	£80.00
Mission Weeks Fund	—	£87.91	—	—	£87.91	£1,087.91
New Missioner Fund	—	£415.49	—	—	£415.49	£415.49
Operational Fund	—	£1,261.03	—	—	£1,261.03	£2,707.38
Retreat Fund	—	£318.00	—	—	£318.00	£318.00
Sponsorship Fund	—	£1,658.14	—	—	£1,658.14	£612.85
Training Fund	—	—	—	—	—	(£262.34)
UK Operational Support Fund	—	£3,537.02	—	—	£3,537.02	—
VITAL Fund	—	(£7,985.95)	—	—	(£7,985.95)	(£7,985.95)
Van to ECHO - Petty Cash	—	£67.17	—	—	£67.17	£67.17
Van to ECHO Fund	—	(£2,702.50)	—	—	(£2,702.50)	(£2,702.50)
World Mission Fund	—	£718.76	—	—	£718.76	£1,718.76
Restricted						
Deacons Fund	—	—	£824.19	—	£824.19	£824.19
Sound Equipment Fund	—	—	£1.00	—	£1.00	£1.00
St. Stephen's Fund	—	—	—	—	—	—
St. Stephen's Fund - ALLEN	—	—	£1,885.82	—	£1,885.82	£1,851.32
St. Stephen's Fund - COWSER	—	—	—	—	—	£589.13
St. Stephen's Fund - EWING	—	—	(£726.61)	—	(£726.61)	£1,258.28

Vehicle Purchase & Repair Fund	—	—	£451.18	—	£451.18	(£137.95)
--------------------------------	---	---	---------	---	---------	-----------

Balance sheet

Class and code	Description	This year	Last year
Current assets			
1101	BIO Bank Account	—	£1,880.59
1102	BIO NEW Trust Account	£2,485.17	£2,375.71
1104	BIO Petty Cash	£2.36	£2.36
1105	EDevO Bank Account	—	—
1106	EDevO Petty Cash	£3.09	£3.09
1107	Van to ECHO Petty Cash	£67.17	£67.17
1109	BIO - Savings	—	—
	Total Current assets	£2,557.79	£4,328.92
Reserves			
Z01	Excess / (deficit) to date	(£1,771.13)	(£1,338.02)
	Starting balances	£4,328.92	£5,666.94
	Total Reserves	£2,557.79	£4,328.92
Represented by funds			
	Unrestricted	—	—
	Designated	£122.21	(£57.05)
	Restricted	£2,435.58	£4,385.97
	Endowment	—	—
	Total	£2,557.79	£4,328.92

Statement of assets and liabilities

	This year	Last year
Cash at bank and in hand		
BIO Bank Account		
Operational Fund (Designated) -	—	£4,507.37
VITAL Fund (Designated) -	—	(£7,985.95)
ATF (Designated) -	—	£101.12
Retreat Fund (Designated) -	—	£318.00
Mission Weeks Fund (Designated) -	—	£1,087.91
BIO Medical Fund (Designated) -	—	£482.49
World Mission Fund (Designated) -	—	£1,718.76
ECHO Transfer Fund (Designated) -	—	(£524.51)
Training Fund (Designated) -	—	(£262.34)
Food Programme Fund (Designated) -	—	£80.00
Banquet Fund (Designated) -	—	£331.42
New Missioner Fund (Designated) -	—	£415.49
Deacons Fund (Restricted) -	—	£824.19
Sound Equipment Fund (Restricted) -	—	£1.00
Vehicle Purchase & Repair Fund (Restricted) -	—	(£137.95)
Dev. Distribution Fund (Designated) -	—	£1,727.25
Development Seed Fund (Designated) -	—	£265.50
Sponsorship Fund (Designated) -	—	£105.08
Development Operations Fund (Designated) -	—	£138.83
St. Stephen's Fund - ALLEN (Restricted) -	—	£1,098.30
St. Stephen's Fund - COWSER (Restricted) -	—	£589.13
St. Stephen's Fund - EWING (Restricted) -	—	£1,120.27
BIO Resources - Sound (Designated) -	—	£194.72
BIO Resources - Playbooks (Designated) -	—	£342.01
BIO Royalties & Licensing (Designated) -	—	£45.00

Van to ECHO Fund (Designated) -	—	(£2,702.50)
General fund (Unrestricted) -	—	(£2,000.00)
	—	£1,880.59
BIO NEW Trust Account		
Operational Fund (Designated) -	£1,261.03	£200.01
VITAL Fund (Designated) -	(£7,985.95)	—
ATF (Designated) -	£101.12	—
Retreat Fund (Designated) -	£318.00	—
Mission Weeks Fund (Designated) -	£87.91	—
BIO Medical Fund (Designated) -	£482.49	—
World Mission Fund (Designated) -	£718.76	—
ECHO Transfer Fund (Designated) -	(£919.31)	£769.62
Food Programme Fund (Designated) -	£80.00	—
Banquet Fund (Designated) -	£331.42	—
New Missioner Fund (Designated) -	£415.49	—
Deacons Fund (Restricted) -	£824.19	—
Sound Equipment Fund (Restricted) -	£1.00	—
Vehicle Purchase & Repair Fund (Restricted) -	£451.18	—
Dev. Distribution Fund (Designated) -	£514.19	£7.28
Development Seed Fund (Designated) -	£581.79	—
UK Operational Support Fund (Designated) -	£3,537.02	—
Sponsorship Fund (Designated) -	£1,658.14	£507.77
Development Operations Fund (Designated) -	£788.26	—
St. Stephen's Fund - ALLEN (Restricted) -	£1,885.82	£753.02
St. Stephen's Fund - EWING (Restricted) -	(£726.61)	£138.01
BIO Resources - Sound (Designated) -	£194.72	—
BIO Resources - Playbooks (Designated) -	£342.01	—
BIO Royalties & Licensing (Designated) -	£245.00	—
Van to ECHO Fund (Designated) -	(£2,702.50)	—
	£2,485.17	£2,375.71
BIO Petty Cash		
BIO - Petty Cash (Designated) -	£2.36	£2.36
	£2.36	£2.36
EDevO Bank Account		
Operational Fund (Designated) -	—	(£2,000.00)
General fund (Unrestricted) -	—	£2,000.00
	—	—
EDevO Petty Cash		
EDevO - Petty Cash (Designated) -	£3.09	£3.09
	£3.09	£3.09
Van to ECHO Petty Cash		
Van to ECHO - Petty Cash (Designated) -	£67.17	£67.17
	£2,557.79	£4,328.92
Total for Cash at bank and in hand	£2,557.79	£4,328.92
Grand total	£2,557.79	£4,328.92

Fund movement by type

	Opening	Incoming	Outgoing	Transfers	Gains/losses	Journals	Closing
BIO-OPS - Operational Fund							
Designated	£2,707.38	£500.00	£3,946.35	£2,000.00	—	—	£1,261.03
Sub-total for BIO-OPS	£2,707.38	£500.00	£3,946.35	£2,000.00	—	—	£1,261.03
VITAL - VITAL Fund							
Designated	(£7,985.95)	—	—	—	—	—	(£7,985.95)
Sub-total for VITAL	(£7,985.95)	—	—	—	—	—	(£7,985.95)
ATF - ATF							
Designated	£101.12	—	—	—	—	—	£101.12
Sub-total for ATF	£101.12	—	—	—	—	—	£101.12
BIO-UTY - BIO Utility Fund							
Designated	—	—	—	—	—	—	—
Sub-total for BIO-UTY	—	—	—	—	—	—	—
RETREAT - Retreat Fund							
Designated	£318.00	—	—	—	—	—	£318.00
Sub-total for RETREAT	£318.00	—	—	—	—	—	£318.00
WM-WEEKS - Mission Weeks Fund							
Designated	£1,087.91	—	—	(£1,000.00)	—	—	£87.91
Sub-total for WM-WEEKS	£1,087.91	—	—	(£1,000.00)	—	—	£87.91
BIO-MED - BIO Medical Fund							
Designated	£482.49	—	—	—	—	—	£482.49
Sub-total for BIO-MED	£482.49	—	—	—	—	—	£482.49
WMF - World Mission Fund							
Designated	£1,718.76	—	—	(£1,000.00)	—	—	£718.76
Sub-total for WMF	£1,718.76	—	—	(£1,000.00)	—	—	£718.76
ECHO - ECHO Transfer Fund							
Designated	£245.11	£739.60	£1,904.02	—	—	—	(£919.31)
Sub-total for ECHO	£245.11	£739.60	£1,904.02	—	—	—	(£919.31)
TRAINING - Training Fund							
Designated	(£262.34)	—	—	£262.34	—	—	—
Sub-total for TRAINING	(£262.34)	—	—	£262.34	—	—	—
FOOD-PROG - Food Programme Fund							
Designated	£80.00	—	—	—	—	—	£80.00
Sub-total for FOOD-PROG	£80.00	—	—	—	—	—	£80.00
BQT - Banquet Fund							
Designated	£331.42	—	—	—	—	—	£331.42
Sub-total for BQT	£331.42	—	—	—	—	—	£331.42
NM - New Missioner Fund							
Designated	£415.49	—	—	—	—	—	£415.49
Sub-total for NM	£415.49	—	—	—	—	—	£415.49
DEACONS - Deacons Fund							
Restricted	£824.19	—	—	—	—	—	£824.19
Sub-total for DEACONS	£824.19	—	—	—	—	—	£824.19
SD-EQUIP - Sound Equipment Fund							
Restricted	£1.00	—	—	—	—	—	£1.00
Sub-total for SD-EQUIP	£1.00	—	—	—	—	—	£1.00
VEHICLE - Vehicle Purchase & R							

Restricted	(£137.95)	—	—	£589.13	—	—	£451.18
Sub-total for VEHICLE	(£137.95)	—	—	£589.13	—	—	£451.18
DEV-DISTR - Dev. Distribution Fu							
Designated	£1,734.53	—	£838.00	(£382.34)	—	—	£514.19
Sub-total for DEV-DISTR	£1,734.53	—	£838.00	(£382.34)	—	—	£514.19
DEV-SEED - Development Seed Fun							
Designated	£265.50	£316.29	—	—	—	—	£581.79
Sub-total for DEV-SEED	£265.50	£316.29	—	—	—	—	£581.79
UK-OPS - UK Operational Suppo							
Designated	—	£11,596.40	£12,183.28	£4,123.90	—	—	£3,537.02
Sub-total for UK-OPS	—	£11,596.40	£12,183.28	£4,123.90	—	—	£3,537.02
SPONS - Sponsorship Fund							
Designated	£612.85	£5,369.19	—	(£4,323.90)	—	—	£1,658.14
Sub-total for SPONS	£612.85	£5,369.19	—	(£4,323.90)	—	—	£1,658.14
DEV-OPS - Development Operatio							
Designated	£138.83	£649.43	—	—	—	—	£788.26
Sub-total for DEV-OPS	£138.83	£649.43	—	—	—	—	£788.26
ST-STEPHEN - St. Stephen's Fund							
Restricted	—	—	—	—	—	—	—
Sub-total for ST-STEPHEN	—	—	—	—	—	—	—
ST-ALLEN - St. Stephen's Fund -							
Restricted	£1,851.32	£6,138.00	£6,103.50	—	—	—	£1,885.82
Sub-total for ST-ALLEN	£1,851.32	£6,138.00	£6,103.50	—	—	—	£1,885.82
ST-COWSER - St. Stephen's Fund -							
Restricted	£589.13	—	—	(£589.13)	—	—	—
Sub-total for ST-COWSER	£589.13	—	—	(£589.13)	—	—	—
ST-EWING - St. Stephen's Fund -							
Restricted	£1,258.28	£525.12	£2,510.01	—	—	—	(£726.61)
Sub-total for ST-EWING	£1,258.28	£525.12	£2,510.01	—	—	—	(£726.61)
BIO-PC - BIO - Petty Cash							
Designated	£2.36	—	—	—	—	—	£2.36
Sub-total for BIO-PC	£2.36	—	—	—	—	—	£2.36
EDevO-PC - EDevO - Petty Cash							
Designated	£3.09	—	—	—	—	—	£3.09
Sub-total for EDevO-PC	£3.09	—	—	—	—	—	£3.09
BIO-SOUND - BIO Resources - Soun							
Designated	£194.72	—	—	—	—	—	£194.72
Sub-total for BIO-SOUND	£194.72	—	—	—	—	—	£194.72
BIO-PLAYS - BIO Resources - Play							
Designated	£342.01	—	—	—	—	—	£342.01
Sub-total for BIO-PLAYS	£342.01	—	—	—	—	—	£342.01
BIO-SCRIPT - BIO Royalties & Lice							
Designated	£45.00	—	—	£200.00	—	—	£245.00
Sub-total for BIO-SCRIPT	£45.00	—	—	£200.00	—	—	£245.00
VAN-ECHO - Van to ECHO Fund							
Designated	(£2,702.50)	—	—	—	—	—	(£2,702.50)
Sub-total for VAN-ECHO	(£2,702.50)	—	—	—	—	—	(£2,702.50)
VAN-PC - Van to ECHO - Petty							
Designated	£67.17	—	—	—	—	—	£67.17
Sub-total for VAN-PC	£67.17	—	—	—	—	—	£67.17
General - General fund							

Unrestricted	—	—	£120.00	£120.00	—	—	—
Sub-total for General	—	—	£120.00	£120.00	—	—	—
Grand total	£4,328.92	£25,834.03	£27,605.16	—	—	—	£2,557.79

Analysis of receipts and payments

	<u>Unrestricted</u>	<u>Designated</u>	<u>Restricted</u>	<u>Endowment</u>	<u>This year</u>	<u>Total Last year</u>
INCOME AND ENDOWMENTS						
Donations and legacies						
4100 - General Donations - BIO	—	£229.20	—	—	£229.20	£2,943.36
4101 - General Donations - Isles	—	—	—	—	—	—
4110 - General Donations - EDevO	—	£6,426.23	—	—	£6,426.23	£5,516.14
4111 - EDevO Events - General	—	—	—	—	—	£1,020.62
4113 - EDevO Mailings/Appeals - General	—	—	—	—	—	—
4117 - Field Ministry (specified)	—	—	—	—	—	—
4118 - Special Donations: R/B/CPCC	—	—	—	—	—	£30.00
4121 - Deacons Donations - BIO (R)	—	—	—	—	—	—
4122 - Deacons Donations - EDevO (R)	—	—	—	—	—	—
4123 - Health Donations (R)	—	—	—	—	—	—
4124 - Overseas Mission Fund (R)	—	—	—	—	—	—
4125 - St. Stephen's Fund (R)	—	—	—	—	—	—
4126 - St. Stephen's (R) - Allen	—	—	£6,138.00	—	£6,138.00	£5,470.60
4127 - St. Stephen's (R) - Cowser	—	—	—	—	—	£175.00
4128 - St. Stephen's (R) - Ewing	—	—	£525.12	—	£525.12	£2,122.82
4129 - St. Stephen's (R) - Howser	—	—	—	—	—	—
4130 - St. Stephen's (R) - Norman	—	—	—	—	—	—
4140 - IT/Equipment (R)	—	—	—	—	—	—
4145 - Sound Equipment (R)	—	—	—	—	—	—
4150 - Travel	—	—	—	—	—	—
4160 - Vehicle Purchase & Repair (R) - BIO	—	—	—	—	—	—
4165 - Vehicle Purchase & Repair (R) - EDevO	—	—	—	—	—	—
4600 - Donation from Foreign Office (BIO)	—	—	—	—	—	£6,310.00
4605 - Donation from Foreign Office (EDevO)	—	£8,515.40	—	—	£8,515.40	—
4900 - Grants - BIO	—	—	—	—	—	—
4905 - Grants - Isles	—	—	—	—	—	—
4950 - Legacies	—	—	—	—	—	—
Total	—	£15,170.83	£6,663.12	—	£21,833.95	£23,588.54
Income from charitable activities						
4200 - Performance Income (BIO)	—	£1,200.00	—	—	£1,200.00	£1,624.00
4201 - Performance Income (Isles)	—	—	—	—	—	—
4203 - Performance Income (Ireland)	—	—	—	—	—	—
4205 - Performance Income (Belgium)	—	—	—	—	—	£261.48
4206 - Performance Income (France)	—	—	—	—	—	£2,182.34
4207 - Performance Income (Germany)	—	—	—	—	—	£2,110.06
4208 - Performance Income (Luxembourg)	—	£739.60	—	—	£739.60	£1,863.33

4250 - Sponsorship (BIO)	—	—	—	—	—	—
4251 - Sponsorship (Isles)	—	—	—	—	—	—
4252 - Sponsorship (Ireland)	—	—	—	—	—	—
4253 - Sponsorship (Belgium)	—	—	—	—	—	—
4254 - Sponsorship (France)	—	—	—	—	—	—
4257 - Sponsorship (Germany)	—	—	—	—	—	—
4258 - Sponsorship (Luxembourg)	—	—	—	—	—	—
Total	—	£1,939.60	—	—	£1,939.60	£8,041.21

Other trading activities

4300 - Script Hire & Licensing	—	—	—	—	—	—
4310 - Resource Sales	—	—	—	—	—	—
4700 - Event Sales - Advertising	—	—	—	—	—	—
4705 - Event Sales - Auction	—	—	—	—	—	—
4710 - Event Sales - Tickets	—	—	—	—	—	—
Total	—	—	—	—	—	—

Other income

4400 - Interest - BIO	—	—	—	—	—	—
4405 - Interest - EDev0	—	—	—	—	—	—
4500 - Sale of Fixed Assets (Vehicle)	—	—	—	—	—	—
4980 - Tax Reclaimed - BIO/EDevO	—	£2,060.48	—	—	£2,060.48	£2,894.17
4981 - Tax Reclaimed - Deacons (R) BIO	—	—	—	—	—	—
4982 - Tax Reclaimed - Deacons (R) EDevO	—	—	—	—	—	—
4983 - Tax Reclaimed - St. Luke's (R)	—	—	—	—	—	—
4984 - Tax Reclaimed - OMF (R)	—	—	—	—	—	—
4985 - Tax Reclaimed - St. Stephen's Fund (R)	—	—	—	—	—	—
4986 - Tax Reclaimed - St. Stephen's - Allen (R)	—	—	—	—	—	—
4987 - Tax Reclaimed - St. Stephen's - Cowser	—	—	—	—	—	—
4988 - Tax Reclaimed - St. Stephen's - Ewing	—	—	—	—	—	—
4989 - Tax Reclaimed - St. Stephen's - Howser	—	—	—	—	—	—
4990 - Tax Reclaimed - St. Stephen's - Norman	—	—	—	—	—	—
4991 - Tax Reclaimed - IT/Equipment	—	—	—	—	—	—
4992 - Tax Reclaimed - Sound Equipment (R)	—	—	—	—	—	—
4993 - Tax Reclaimed - Travel (R)	—	—	—	—	—	—
4994 - Tax Reclaimed - Vehicle (R)	—	—	—	—	—	—
Total	—	£2,060.48	—	—	£2,060.48	£2,894.17
INCOME TOTAL	—	£19,170.91	£6,663.12	—	£25,834.03	£34,523.92

EXPENDITURE

Raising funds

5070 - F'raising - Food & Catering	—	—	—	—	—	—
5071 - F'raising - Hire of Venue	—	—	—	—	—	—
5072 - F'raising - Petrol	—	—	—	—	—	£27.25
5073 - F'raising - Postage	—	—	—	—	—	£294.25
5174 - F'raising - Production Supplies/Print	—	—	—	—	—	—

5175 - F'raising - Promotion/Ads	—	—	—	—	—	—
5176 - F'raising - Sundries	—	—	—	—	—	—
5177 - F'raising - Phone & Internet	—	—	—	—	—	£43.93
5178 - F'raising - Travel	—	—	—	—	—	—
Total	—	—	—	—	—	£365.43

Expenditure on charitable activities

5011 - Stipend	—	£2,938.00	—	—	£2,938.00	£2,393.00
5012 - Missioner Welfare/Support	—	£4,357.82	—	—	£4,357.82	£825.00
5015 - Representative Fee	—	—	—	—	—	—
5016 - Production Costs	—	£53.33	—	—	£53.33	£19.82
5020 - Food - BIO	—	£145.71	—	—	£145.71	£188.14
5021 - Food - Isles	—	—	—	—	—	—
5022 - Lodging - BIO	—	£450.47	—	—	£450.47	—
5023 - Lodging - Isles	—	£92.28	—	—	£92.28	—
5024 - Parking/Tolls - BIO	—	£26.00	—	—	£26.00	£79.83
5025 - Parking/Tolls - Isles	—	—	—	—	—	—
5026 - Petrol - BIO	—	£529.70	—	—	£529.70	£926.24
5027 - Petrol - Isles	—	—	—	—	—	—
5028 - IT/Sound Equipment	—	—	—	—	—	£403.13
5029 - Travel - BIO	—	£1,299.17	—	—	£1,299.17	£805.98
5030 - Travel - Isles	—	—	—	—	—	—
5031 - Vehicle - BIO	—	£561.69	—	—	£561.69	£2,650.95
5032 - Vehicle - Isles	—	—	—	—	—	—
5035 - CPCC/Training - BIO	—	—	—	—	—	—
5036 - Training - Miscellaneous	—	—	—	—	—	—
5037 - Training - Petrol	—	—	—	—	—	£215.23
5038 - Training - Food Programme	—	—	—	—	—	£389.52
5039 - Training - Banquet	—	—	—	—	—	—
5040 - Training - Retreat	—	—	—	—	—	—
5041 - Training - New Missioner	—	—	—	—	—	—
5042 - Grant to Foreign Office - BIO	—	£1,000.00	—	—	£1,000.00	£10,414.18
5043 - Grant to Foreign Office - EDevO	—	—	—	—	—	£3,000.01
5044 - Office Supplies - BIO/EDevO	—	£399.49	—	—	£399.49	£174.91
5045 - Printing - BIO/EDevO	—	£396.53	—	—	£396.53	£282.67
5046 - Phone & Internet - BIO/EDevO	—	£975.92	—	—	£975.92	£874.02
5047 - Rent	£120.00	£1,320.00	—	—	£1,440.00	£1,440.00
5048 - Building Repair & Maintenance	—	—	—	—	—	—
5049 - Electricity - Utilities	—	£240.00	—	—	£240.00	£240.00
5050 - Gas - Utilities	—	£360.00	—	—	£360.00	£460.00
5051 - Water - Utilities	—	£60.00	—	—	£60.00	£60.00
5200 - ATF - Travel/Immigration	—	—	—	—	—	£726.90
5201 - ATF - Donation to Foreign Office	—	—	—	—	—	—
5202 - ATF - Visas	—	—	—	—	—	—
5210 - BIOMed - Emergency Need	—	—	—	—	—	—
5211 - BIOMed - Donation to Foreign Office	—	—	—	—	—	—
5212 - BIOMed - Health Insurance	—	—	—	—	—	£17.51
5213 - VITAL Expense	—	£1,286.64	—	—	£1,286.64	£1,714.47
5220 - Resources Fund Expenses	—	—	—	—	—	—
5221 - Resources - Postage	—	—	—	—	—	—
5222 - Royalties	—	—	—	—	—	—
5230 - WMF - Expense	—	—	—	—	—	£192.47
5231 - WMF - Donation to Foreign Office	—	—	—	—	—	—
5235 - Designated Tithe Expense	—	—	—	—	—	—
5300 - Deacons Fund Expense - Miss. Needs (R)	—	—	—	—	—	—
5320 - St. Stephen's Fund Expense (R)	—	—	—	—	—	—
5321 - St. Stephen's - Don. to Foreign Off. (R)	—	—	—	—	—	—

5322 - St. Stephen's Fund - Norman (R)	—	—	—	—	—	—
5326 - St. Stephen's Fund - Allen (R)	—	—	£6,103.50	—	£6,103.50	£3,827.01
5327 - St. Stephen's Fund - Cowser (R)	—	—	—	—	—	—
5328 - St. Stephen's Fund - Ewing (R)	—	—	£2,510.01	—	£2,510.01	£864.54
5329 - St. Stephen's Fund - Howser (R)	—	—	—	—	—	—
5330 - OMF - Expense (R)	—	—	—	—	—	—
5337 - St. Luke's Fund Expense (R)	—	—	—	—	—	—
5340 - Sound Equipment (R)	—	—	—	—	—	—
5350 - Travel Fund Expense (R)	—	—	—	—	—	—
5355 - Travel Fund (R) Don. to Foreign Off.	—	—	—	—	—	—
5360 - Vehicle Expense (R)	—	—	—	—	—	—
5365 - Vehicle Expense (R) Don. to Foreign Off.	—	—	—	—	—	—
5370 - IT/Equipment Expense (R)	—	—	—	—	—	—
Total	£120.00	£16,492.75	£8,613.51	—	£25,226.26	£33,185.53
Other expenditure						
5033 - Stolen Cash - BIO	—	—	—	—	—	—
5034 - Stolen Cash - Isles	—	—	—	—	—	—
5060 - Depreciation - Fixed Asset	—	—	—	—	—	—
5065 - Loss on Fixed Asset	—	—	—	—	—	—
5180 - Bank Fees & Charges - BIO	—	£29.60	—	—	£29.60	£18.40
5181 - Bank Fees & Charges - EDevO	—	—	—	—	—	£1.75
5182 - Continuing Education	—	—	—	—	—	—
5183 - Equipment Rental/Service	—	£1,310.40	—	—	£1,310.40	£747.60
5184 - Exchange Loss/Duty/Fee	—	—	—	—	—	—
5185 - Insurance - Office/Liability	—	£817.50	—	—	£817.50	£714.03
5186 - Interest	—	—	—	—	—	—
5187 - Legal Fees	—	—	—	—	—	—
5188 - Examiner Fees	—	—	—	—	—	—
5189 - Professional Services	—	£221.40	—	—	£221.40	£829.20
5190 - Council Tax	—	—	—	—	—	—
5191 - Trustee Expenses	—	—	—	—	—	—
Total	—	£2,378.90	—	—	£2,378.90	£2,310.98
EXPENDITURE TOTAL	£120.00	£18,871.65	£8,613.51	—	£27,605.16	£35,861.94
GRAND TOTAL	(£120.00)	£299.26	(£1,950.39)	—	(£1,771.13)	(£1,338.02)

Notes:

1. There were no trustee expenses.

2. Donations from Foreign Office increased due to the sale of the German Headquarters in January 2024. This is to reimburse some of the funds granted to Covenant Players, Germany, in order to meet the mortgage interest payments through the pandemic, securing the house during a very challenging period.

Financial Summary for the year ending 31 December 2024

Income	2024	2023
Donations	21,833.95	14,799.50
Performances	1,939.60	8,041.21
Sponsorships	0.00	0.00
Grants	0.00	0.00
Reclaimed Tax	2,060.48	2,894.17
Fundraising appeals and events	0.00	8,789.04
Advertising sales	0.00	0.00
Income from assets	0.00	0.00
Books and CDs	<u>0.00</u>	<u>0.00</u>
TOTAL INCOME	25,834.03	34,523.92
Expenditure		
Personnel costs (5 workers)	7,295.82	3,218.00
Presentation costs		
Food and Lodging	741.79	207.96
Travel	1,854.87	2,538.95
Vehicles	1,848.33	4,365.42
Support costs	3,871.94	3,952.24
Covenant Players International	1,000.00	14,211.41
Donations	8,613.51	4,691.55
Fundraising and publicity	0.00	365.43
Administration and management	2,378.90	2,310.98
Purchase of vehicles and equipment	<u>0.00</u>	<u>0.00</u>
TOTAL EXPENDITURE	27,605.16	35,861.94
Net income (deficit)	(-1,771.13)	(-1,338.02)
Bank balances end of year	2,557.79	4,328.92

Report prepared by:

Deborah Allen

29 October 2025

.....
Deborah Allen, National Director

.....
(Date)

Approved by the Trustees and signed on their behalf by:

E. E. Lock

29 October 2025

.....
Trustee

.....
(Date)

Covenant Players (UK) Trust

End of Year Financial Statements & Annual Report

Year ending 31 December 2024



Founder

Charles M. Tanner

International Director

Bobbi M. Johnson-Tanner

Trustees

Deborah Allen

Bobbi M. Johnson-Tanner

Eileen Lock

Timothy Martin

Officer

Deborah Allen -

National Director

Bankers

Barclays Bank PLC

Leicester

LE87 2BB

Tel. (0345) 734 5345

Independent Examiner

Mr Ken Bailey

Pembroke House

Lower Park Terrace

Pontypool, NP4 6LB

Tel. (01495) 753 767

ADDRESS FROM APRIL 2025:

Covenant Players (UK)
Trust
42 Lon Gwenant
Ponrhydyrun
Cwmbran
NP44 1FD

Registered Charity No.
1059359

Since 1963...

Covenant Players

*...drama that touches the heart,
the mind and the soul.*

Introduction:

Covenant Players is a professional theatre company, fielding touring troupes which perform the original theme-based plays of Charles M. Tanner in service to the leadership of churches, schools, social service agencies, community and government organisations.

Covenant Players ...

- “ seeks to challenge people to a deeper walk in faith and action
- “ has served in 78 countries
- “ has performed in 29 languages
- “ has given over 2,000,000 performances world-wide.

Governing Document: **Deed of Trust dated 30th October 1996**

Covenant Players is registered with the Charity Commission of England and Wales as a charity set up for the advancement of the Christian Religion and the advancement of Education.

The objects of the Trust are:

- to advance the Christian faith, particularly through the production and performance of drama and other media to promote Christian teachings, principles, values and mores in the United Kingdom and elsewhere as the Trustees may from time to time think fit.
- to advance education of the public, particularly in the area of religious beliefs and mores in the United Kingdom and elsewhere as the Trustees may from time to time think fit.

MISSION STATEMENT

Covenant Players exists to communicate the Lord Jesus Christ through the medium of drama.

To that end we commit ourselves to:

Go where the people are.

Serve the leadership of the church and the community.

Live a life worthy of our call.

Love each other and those we serve.

In Covenant with God and one another, we dedicate ourselves to this task.

National Director's Report

2024 is a year in which we have seen some significant changes for our ministry.

In January we were able to complete on the sale of the former Covenant Players headquarters in Stahlhofen, Germany. This brought to a finish a drawn out process which began before 2020, and was made more critical as a result of the pandemic, with the closure of all possible performance venues.

By God's grace – and the generosity of our supporters – we were able to weather the storm and continue to meet our financial obligations until the sale was completed. We are deeply indebted to the Evangelische Bank, Germany, which permitted us to pay only the interest on the mortgage during the most challenging periods.

I am grateful to all the Covenant Players who worked so diligently, whilst still performing and training, to complete the clearing and moving out of the former headquarters and the transfer of all CP property to the UK. This includes being the custodians of all the play scripts in Europe. The UK office has served administratively as the headquarters for Europe since 2018.

Moving addresses and banks created a great amount of additional administration. In spring 2024 we were able to finally complete the process of transferring all the CP banking in the UK to a new Trust Account which was required by Barclays Bank. Many charities have reported that banks are making it increasingly hard for charities to operate accounts with them, and this certainly proved to be the case for us. The entire process took over 18-

months and included Barclays closing without notice our main development account, which received all the regular Standing Order gifts and donations. Through continuing regular communication with our friends and supporters, most of the committed regular gifts – which so faithfully undergird our work – were reinstated. Again, our great thanks to all those who have made that ongoing commitment – over many years.

We were blessed to have a wide variety of performances throughout the year which included schools, dinner theatre events, Church Festivals, street theatre, retreats and a youth festival.

It is a privilege to work alongside churches and other organisations to pray, plan and prepare bespoke performances, serving the needs and vision of individual groups and their leaders.

The rehearsal, preparation and performance of the plays of Charles M. Tanner remains our great joy and we continue to seek new ways in which these beautiful plays can be increasingly used and performed in the Lord's service. It is humbling to see how the Lord uses the impact of the plays to touch and change lives.

As ever, I am grateful to our trustees, for their faithful support and great love for the ministry. The trustees continue to closely watch the finances through the ongoing financial and post-pandemic challenges. We continue to seek ways to increase streams of income whilst reducing expenses.

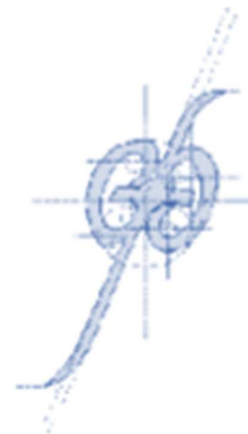
We thank you for holding trust with us throughout this year, for all the ways that you have supported us through your prayers, words of encouragement and for your generous and unstinting financial support.

Thanks also to Ken Bailey, who has graciously served as our Independent Examiner, once again.

**Deborah Allen
National Director & European Supervisor**

**Trustees:
Deborah Allen
Bobbi Johnson-Tanner
Eileen Lock
Tim Martin**

Independent Examiner: Mr Ken Bailey



Receipts and Payments Account

	Unrestricted funds	Designated funds	Restricted funds	Endowment funds	Total funds	Prior year total funds
Income and endowments from:						
Donations and legacies	—	£15,170.83	£6,663.12	—	£21,833.95	£23,588.54
Income from charitable activities	—	£1,939.60	—	—	£1,939.60	£8,041.21
Other trading activities	—	—	—	—	—	—
Other income	—	£2,060.48	—	—	£2,060.48	£2,894.17
Total income and endowments from:	—	£19,170.91	£6,663.12	—	£25,834.03	£34,523.92
Expenditure on:						
Raising funds	—	—	—	—	—	£365.43
Expenditure on charitable activities	£120.00	£16,492.75	£8,613.51	—	£25,226.26	£33,185.53
Other expenditure	—	£2,378.90	—	—	£2,378.90	£2,310.98
Total expenditure on:	£120.00	£18,871.65	£8,613.51	—	£27,605.16	£35,861.94
Net income / (expenditure)	(£120.00)	£299.26	(£1,950.39)	—	(£1,771.13)	(£1,338.02)
Transfers						
Gross transfers between funds - in	£120.00	£6,786.24	£589.13	—	£7,495.37	£4,924.59
Gross transfers between funds - out	—	(£6,906.24)	(£589.13)	—	(£7,495.37)	(£4,924.59)
Net income / (expenditure)	—	£179.26	(£1,950.39)	—	(£1,771.13)	(£1,338.02)
Other recognised gains / losses						
Gains / losses on investment assets	—	—	—	—	—	—
Gains on revaluation, fixed assets, charity's own use	—	—	—	—	—	—
Net movement in funds	—	£179.26	(£1,950.39)	—	(£1,771.13)	(£1,338.02)
Total funds brought forward	—	(£57.05)	£4,385.97	—	£4,328.92	£5,666.94
Total funds carried forward	—	£122.21	£2,435.58	—	£2,557.79	£4,328.92
Represented by						
Unrestricted						
General fund	—	—	—	—	—	—
Designated						
ATF	—	£101.12	—	—	£101.12	£101.12
BIO - Petty Cash	—	£2.36	—	—	£2.36	£2.36
BIO Medical Fund	—	£482.49	—	—	£482.49	£482.49
BIO Resources - Playbooks	—	£342.01	—	—	£342.01	£342.01
BIO Resources - Sound	—	£194.72	—	—	£194.72	£194.72
BIO Royalties & Licensing	—	£245.00	—	—	£245.00	£45.00
BIO Utility Fund	—	—	—	—	—	—
Banquet Fund	—	£331.42	—	—	£331.42	£331.42
Dev. Distribution Fund	—	£514.19	—	—	£514.19	£1,734.53
Development Operations Fund	—	£788.26	—	—	£788.26	£138.83
Development Seed Fund	—	£581.79	—	—	£581.79	£265.50
ECHO Transfer Fund	—	(£919.31)	—	—	(£919.31)	£245.11
EDevO - Petty Cash	—	£3.09	—	—	£3.09	£3.09
Food Programme Fund	—	£80.00	—	—	£80.00	£80.00
Mission Weeks Fund	—	£87.91	—	—	£87.91	£1,087.91
New Missioner Fund	—	£415.49	—	—	£415.49	£415.49
Operational Fund	—	£1,261.03	—	—	£1,261.03	£2,707.38
Retreat Fund	—	£318.00	—	—	£318.00	£318.00
Sponsorship Fund	—	£1,658.14	—	—	£1,658.14	£612.85
Training Fund	—	—	—	—	—	(£262.34)
UK Operational Support Fund	—	£3,537.02	—	—	£3,537.02	—
VITAL Fund	—	(£7,985.95)	—	—	(£7,985.95)	(£7,985.95)
Van to ECHO - Petty Cash	—	£67.17	—	—	£67.17	£67.17
Van to ECHO Fund	—	(£2,702.50)	—	—	(£2,702.50)	(£2,702.50)
World Mission Fund	—	£718.76	—	—	£718.76	£1,718.76
Restricted						
Deacons Fund	—	—	£824.19	—	£824.19	£824.19
Sound Equipment Fund	—	—	£1.00	—	£1.00	£1.00
St. Stephen's Fund	—	—	—	—	—	—
St. Stephen's Fund - ALLEN	—	—	£1,885.82	—	£1,885.82	£1,851.32
St. Stephen's Fund - COWSER	—	—	—	—	—	£589.13
St. Stephen's Fund - EWING	—	—	(£726.61)	—	(£726.61)	£1,258.28

Vehicle Purchase & Repair Fund	—	—	£451.18	—	£451.18	(£137.95)
--------------------------------	---	---	---------	---	---------	-----------

Balance sheet

Class and code	Description	This year	Last year
Current assets			
1101	BIO Bank Account	—	£1,880.59
1102	BIO NEW Trust Account	£2,485.17	£2,375.71
1104	BIO Petty Cash	£2.36	£2.36
1105	EDevO Bank Account	—	—
1106	EDevO Petty Cash	£3.09	£3.09
1107	Van to ECHO Petty Cash	£67.17	£67.17
1109	BIO - Savings	—	—
	Total Current assets	£2,557.79	£4,328.92
Reserves			
Z01	Excess / (deficit) to date	(£1,771.13)	(£1,338.02)
	Starting balances	£4,328.92	£5,666.94
	Total Reserves	£2,557.79	£4,328.92
Represented by funds			
	Unrestricted	—	—
	Designated	£122.21	(£57.05)
	Restricted	£2,435.58	£4,385.97
	Endowment	—	—
	Total	£2,557.79	£4,328.92

Statement of assets and liabilities

	This year	Last year
Cash at bank and in hand		
BIO Bank Account		
Operational Fund (Designated) -	—	£4,507.37
VITAL Fund (Designated) -	—	(£7,985.95)
ATF (Designated) -	—	£101.12
Retreat Fund (Designated) -	—	£318.00
Mission Weeks Fund (Designated) -	—	£1,087.91
BIO Medical Fund (Designated) -	—	£482.49
World Mission Fund (Designated) -	—	£1,718.76
ECHO Transfer Fund (Designated) -	—	(£524.51)
Training Fund (Designated) -	—	(£262.34)
Food Programme Fund (Designated) -	—	£80.00
Banquet Fund (Designated) -	—	£331.42
New Missioner Fund (Designated) -	—	£415.49
Deacons Fund (Restricted) -	—	£824.19
Sound Equipment Fund (Restricted) -	—	£1.00
Vehicle Purchase & Repair Fund (Restricted) -	—	(£137.95)
Dev. Distribution Fund (Designated) -	—	£1,727.25
Development Seed Fund (Designated) -	—	£265.50
Sponsorship Fund (Designated) -	—	£105.08
Development Operations Fund (Designated) -	—	£138.83
St. Stephen's Fund - ALLEN (Restricted) -	—	£1,098.30
St. Stephen's Fund - COWSER (Restricted) -	—	£589.13
St. Stephen's Fund - EWING (Restricted) -	—	£1,120.27
BIO Resources - Sound (Designated) -	—	£194.72
BIO Resources - Playbooks (Designated) -	—	£342.01
BIO Royalties & Licensing (Designated) -	—	£45.00

Van to ECHO Fund (Designated) -	—	(£2,702.50)
General fund (Unrestricted) -	—	(£2,000.00)
	—	£1,880.59
BIO NEW Trust Account		
Operational Fund (Designated) -	£1,261.03	£200.01
VITAL Fund (Designated) -	(£7,985.95)	—
ATF (Designated) -	£101.12	—
Retreat Fund (Designated) -	£318.00	—
Mission Weeks Fund (Designated) -	£87.91	—
BIO Medical Fund (Designated) -	£482.49	—
World Mission Fund (Designated) -	£718.76	—
ECHO Transfer Fund (Designated) -	(£919.31)	£769.62
Food Programme Fund (Designated) -	£80.00	—
Banquet Fund (Designated) -	£331.42	—
New Missioner Fund (Designated) -	£415.49	—
Deacons Fund (Restricted) -	£824.19	—
Sound Equipment Fund (Restricted) -	£1.00	—
Vehicle Purchase & Repair Fund (Restricted) -	£451.18	—
Dev. Distribution Fund (Designated) -	£514.19	£7.28
Development Seed Fund (Designated) -	£581.79	—
UK Operational Support Fund (Designated) -	£3,537.02	—
Sponsorship Fund (Designated) -	£1,658.14	£507.77
Development Operations Fund (Designated) -	£788.26	—
St. Stephen's Fund - ALLEN (Restricted) -	£1,885.82	£753.02
St. Stephen's Fund - EWING (Restricted) -	(£726.61)	£138.01
BIO Resources - Sound (Designated) -	£194.72	—
BIO Resources - Playbooks (Designated) -	£342.01	—
BIO Royalties & Licensing (Designated) -	£245.00	—
Van to ECHO Fund (Designated) -	(£2,702.50)	—
	£2,485.17	£2,375.71
BIO Petty Cash		
BIO - Petty Cash (Designated) -	£2.36	£2.36
	£2.36	£2.36
EDevO Bank Account		
Operational Fund (Designated) -	—	(£2,000.00)
General fund (Unrestricted) -	—	£2,000.00
	—	—
EDevO Petty Cash		
EDevO - Petty Cash (Designated) -	£3.09	£3.09
	£3.09	£3.09
Van to ECHO Petty Cash		
Van to ECHO - Petty Cash (Designated) -	£67.17	£67.17
	£2,557.79	£4,328.92
Total for Cash at bank and in hand	£2,557.79	£4,328.92
Grand total	£2,557.79	£4,328.92

Fund movement by type

	Opening	Incoming	Outgoing	Transfers	Gains/losses	Journals	Closing
BIO-OPS - Operational Fund							
Designated	£2,707.38	£500.00	£3,946.35	£2,000.00	—	—	£1,261.03
Sub-total for BIO-OPS	£2,707.38	£500.00	£3,946.35	£2,000.00	—	—	£1,261.03
VITAL - VITAL Fund							
Designated	(£7,985.95)	—	—	—	—	—	(£7,985.95)
Sub-total for VITAL	(£7,985.95)	—	—	—	—	—	(£7,985.95)
ATF - ATF							
Designated	£101.12	—	—	—	—	—	£101.12
Sub-total for ATF	£101.12	—	—	—	—	—	£101.12
BIO-UTY - BIO Utility Fund							
Designated	—	—	—	—	—	—	—
Sub-total for BIO-UTY	—	—	—	—	—	—	—
RETREAT - Retreat Fund							
Designated	£318.00	—	—	—	—	—	£318.00
Sub-total for RETREAT	£318.00	—	—	—	—	—	£318.00
WM-WEEKS - Mission Weeks Fund							
Designated	£1,087.91	—	—	(£1,000.00)	—	—	£87.91
Sub-total for WM-WEEKS	£1,087.91	—	—	(£1,000.00)	—	—	£87.91
BIO-MED - BIO Medical Fund							
Designated	£482.49	—	—	—	—	—	£482.49
Sub-total for BIO-MED	£482.49	—	—	—	—	—	£482.49
WMF - World Mission Fund							
Designated	£1,718.76	—	—	(£1,000.00)	—	—	£718.76
Sub-total for WMF	£1,718.76	—	—	(£1,000.00)	—	—	£718.76
ECHO - ECHO Transfer Fund							
Designated	£245.11	£739.60	£1,904.02	—	—	—	(£919.31)
Sub-total for ECHO	£245.11	£739.60	£1,904.02	—	—	—	(£919.31)
TRAINING - Training Fund							
Designated	(£262.34)	—	—	£262.34	—	—	—
Sub-total for TRAINING	(£262.34)	—	—	£262.34	—	—	—
FOOD-PROG - Food Programme Fund							
Designated	£80.00	—	—	—	—	—	£80.00
Sub-total for FOOD-PROG	£80.00	—	—	—	—	—	£80.00
BQT - Banquet Fund							
Designated	£331.42	—	—	—	—	—	£331.42
Sub-total for BQT	£331.42	—	—	—	—	—	£331.42
NM - New Missioner Fund							
Designated	£415.49	—	—	—	—	—	£415.49
Sub-total for NM	£415.49	—	—	—	—	—	£415.49
DEACONS - Deacons Fund							
Restricted	£824.19	—	—	—	—	—	£824.19
Sub-total for DEACONS	£824.19	—	—	—	—	—	£824.19
SD-EQUIP - Sound Equipment Fund							
Restricted	£1.00	—	—	—	—	—	£1.00
Sub-total for SD-EQUIP	£1.00	—	—	—	—	—	£1.00
VEHICLE - Vehicle Purchase & R							

Restricted	(£137.95)	—	—	£589.13	—	—	£451.18
Sub-total for VEHICLE	(£137.95)	—	—	£589.13	—	—	£451.18
DEV-DISTR - Dev. Distribution Fu							
Designated	£1,734.53	—	£838.00	(£382.34)	—	—	£514.19
Sub-total for DEV-DISTR	£1,734.53	—	£838.00	(£382.34)	—	—	£514.19
DEV-SEED - Development Seed Fun							
Designated	£265.50	£316.29	—	—	—	—	£581.79
Sub-total for DEV-SEED	£265.50	£316.29	—	—	—	—	£581.79
UK-OPS - UK Operational Suppo							
Designated	—	£11,596.40	£12,183.28	£4,123.90	—	—	£3,537.02
Sub-total for UK-OPS	—	£11,596.40	£12,183.28	£4,123.90	—	—	£3,537.02
SPONS - Sponsorship Fund							
Designated	£612.85	£5,369.19	—	(£4,323.90)	—	—	£1,658.14
Sub-total for SPONS	£612.85	£5,369.19	—	(£4,323.90)	—	—	£1,658.14
DEV-OPS - Development Operatio							
Designated	£138.83	£649.43	—	—	—	—	£788.26
Sub-total for DEV-OPS	£138.83	£649.43	—	—	—	—	£788.26
ST-STEPHEN - St. Stephen's Fund							
Restricted	—	—	—	—	—	—	—
Sub-total for ST-STEPHEN	—	—	—	—	—	—	—
ST-ALLEN - St. Stephen's Fund -							
Restricted	£1,851.32	£6,138.00	£6,103.50	—	—	—	£1,885.82
Sub-total for ST-ALLEN	£1,851.32	£6,138.00	£6,103.50	—	—	—	£1,885.82
ST-COWSER - St. Stephen's Fund -							
Restricted	£589.13	—	—	(£589.13)	—	—	—
Sub-total for ST-COWSER	£589.13	—	—	(£589.13)	—	—	—
ST-EWING - St. Stephen's Fund -							
Restricted	£1,258.28	£525.12	£2,510.01	—	—	—	(£726.61)
Sub-total for ST-EWING	£1,258.28	£525.12	£2,510.01	—	—	—	(£726.61)
BIO-PC - BIO - Petty Cash							
Designated	£2.36	—	—	—	—	—	£2.36
Sub-total for BIO-PC	£2.36	—	—	—	—	—	£2.36
EDevO-PC - EDevO - Petty Cash							
Designated	£3.09	—	—	—	—	—	£3.09
Sub-total for EDevO-PC	£3.09	—	—	—	—	—	£3.09
BIO-SOUND - BIO Resources - Soun							
Designated	£194.72	—	—	—	—	—	£194.72
Sub-total for BIO-SOUND	£194.72	—	—	—	—	—	£194.72
BIO-PLAYS - BIO Resources - Play							
Designated	£342.01	—	—	—	—	—	£342.01
Sub-total for BIO-PLAYS	£342.01	—	—	—	—	—	£342.01
BIO-SCRIPT - BIO Royalties & Lice							
Designated	£45.00	—	—	£200.00	—	—	£245.00
Sub-total for BIO-SCRIPT	£45.00	—	—	£200.00	—	—	£245.00
VAN-ECHO - Van to ECHO Fund							
Designated	(£2,702.50)	—	—	—	—	—	(£2,702.50)
Sub-total for VAN-ECHO	(£2,702.50)	—	—	—	—	—	(£2,702.50)
VAN-PC - Van to ECHO - Petty							
Designated	£67.17	—	—	—	—	—	£67.17
Sub-total for VAN-PC	£67.17	—	—	—	—	—	£67.17
General - General fund							

Unrestricted	—	—	£120.00	£120.00	—	—	—
Sub-total for General	—	—	£120.00	£120.00	—	—	—
Grand total	£4,328.92	£25,834.03	£27,605.16	—	—	—	£2,557.79

Analysis of receipts and payments

	<u>Unrestricted</u>	<u>Designated</u>	<u>Restricted</u>	<u>Endowment</u>	<u>This year</u>	<u>Total Last year</u>
INCOME AND ENDOWMENTS						
Donations and legacies						
4100 - General Donations - BIO	—	£229.20	—	—	£229.20	£2,943.36
4101 - General Donations - Isles	—	—	—	—	—	—
4110 - General Donations - EDevO	—	£6,426.23	—	—	£6,426.23	£5,516.14
4111 - EDevO Events - General	—	—	—	—	—	£1,020.62
4113 - EDevO Mailings/Appeals - General	—	—	—	—	—	—
4117 - Field Ministry (specified)	—	—	—	—	—	—
4118 - Special Donations: R/B/CPCC	—	—	—	—	—	£30.00
4121 - Deacons Donations - BIO (R)	—	—	—	—	—	—
4122 - Deacons Donations - EDevO (R)	—	—	—	—	—	—
4123 - Health Donations (R)	—	—	—	—	—	—
4124 - Overseas Mission Fund (R)	—	—	—	—	—	—
4125 - St. Stephen's Fund (R)	—	—	—	—	—	—
4126 - St. Stephen's (R) - Allen	—	—	£6,138.00	—	£6,138.00	£5,470.60
4127 - St. Stephen's (R) - Cowser	—	—	—	—	—	£175.00
4128 - St. Stephen's (R) - Ewing	—	—	£525.12	—	£525.12	£2,122.82
4129 - St. Stephen's (R) - Howser	—	—	—	—	—	—
4130 - St. Stephen's (R) - Norman	—	—	—	—	—	—
4140 - IT/Equipment (R)	—	—	—	—	—	—
4145 - Sound Equipment (R)	—	—	—	—	—	—
4150 - Travel	—	—	—	—	—	—
4160 - Vehicle Purchase & Repair (R) - BIO	—	—	—	—	—	—
4165 - Vehicle Purchase & Repair (R) - EDevO	—	—	—	—	—	—
4600 - Donation from Foreign Office (BIO)	—	—	—	—	—	£6,310.00
4605 - Donation from Foreign Office (EDevO)	—	£8,515.40	—	—	£8,515.40	—
4900 - Grants - BIO	—	—	—	—	—	—
4905 - Grants - Isles	—	—	—	—	—	—
4950 - Legacies	—	—	—	—	—	—
Total	—	£15,170.83	£6,663.12	—	£21,833.95	£23,588.54
Income from charitable activities						
4200 - Performance Income (BIO)	—	£1,200.00	—	—	£1,200.00	£1,624.00
4201 - Performance Income (Isles)	—	—	—	—	—	—
4203 - Performance Income (Ireland)	—	—	—	—	—	—
4205 - Performance Income (Belgium)	—	—	—	—	—	£261.48
4206 - Performance Income (France)	—	—	—	—	—	£2,182.34
4207 - Performance Income (Germany)	—	—	—	—	—	£2,110.06
4208 - Performance Income (Luxembourg)	—	£739.60	—	—	£739.60	£1,863.33

4250 - Sponsorship (BIO)	—	—	—	—	—	—
4251 - Sponsorship (Isles)	—	—	—	—	—	—
4252 - Sponsorship (Ireland)	—	—	—	—	—	—
4253 - Sponsorship (Belgium)	—	—	—	—	—	—
4254 - Sponsorship (France)	—	—	—	—	—	—
4257 - Sponsorship (Germany)	—	—	—	—	—	—
4258 - Sponsorship (Luxembourg)	—	—	—	—	—	—
Total	—	£1,939.60	—	—	£1,939.60	£8,041.21

Other trading activities

4300 - Script Hire & Licensing	—	—	—	—	—	—
4310 - Resource Sales	—	—	—	—	—	—
4700 - Event Sales - Advertising	—	—	—	—	—	—
4705 - Event Sales - Auction	—	—	—	—	—	—
4710 - Event Sales - Tickets	—	—	—	—	—	—
Total	—	—	—	—	—	—

Other income

4400 - Interest - BIO	—	—	—	—	—	—
4405 - Interest - EDev0	—	—	—	—	—	—
4500 - Sale of Fixed Assets (Vehicle)	—	—	—	—	—	—
4980 - Tax Reclaimed - BIO/EDevO	—	£2,060.48	—	—	£2,060.48	£2,894.17
4981 - Tax Reclaimed - Deacons (R) BIO	—	—	—	—	—	—
4982 - Tax Reclaimed - Deacons (R) EDevO	—	—	—	—	—	—
4983 - Tax Reclaimed - St. Luke's (R)	—	—	—	—	—	—
4984 - Tax Reclaimed - OMF (R)	—	—	—	—	—	—
4985 - Tax Reclaimed - St. Stephen's Fund (R)	—	—	—	—	—	—
4986 - Tax Reclaimed - St. Stephen's - Allen (R)	—	—	—	—	—	—
4987 - Tax Reclaimed - St. Stephen's - Cowser	—	—	—	—	—	—
4988 - Tax Reclaimed - St. Stephen's - Ewing	—	—	—	—	—	—
4989 - Tax Reclaimed - St. Stephen's - Howser	—	—	—	—	—	—
4990 - Tax Reclaimed - St. Stephen's - Norman	—	—	—	—	—	—
4991 - Tax Reclaimed - IT/Equipment	—	—	—	—	—	—
4992 - Tax Reclaimed - Sound Equipment (R)	—	—	—	—	—	—
4993 - Tax Reclaimed - Travel (R)	—	—	—	—	—	—
4994 - Tax Reclaimed - Vehicle (R)	—	—	—	—	—	—
Total	—	£2,060.48	—	—	£2,060.48	£2,894.17
INCOME TOTAL	—	£19,170.91	£6,663.12	—	£25,834.03	£34,523.92

EXPENDITURE

Raising funds

5070 - F'raising - Food & Catering	—	—	—	—	—	—
5071 - F'raising - Hire of Venue	—	—	—	—	—	—
5072 - F'raising - Petrol	—	—	—	—	—	£27.25
5073 - F'raising - Postage	—	—	—	—	—	£294.25
5174 - F'raising - Production Supplies/Print	—	—	—	—	—	—

5175 - F'raising - Promotion/Ads	—	—	—	—	—	—
5176 - F'raising - Sundries	—	—	—	—	—	—
5177 - F'raising - Phone & Internet	—	—	—	—	—	£43.93
5178 - F'raising - Travel	—	—	—	—	—	—
Total	—	—	—	—	—	£365.43

Expenditure on charitable activities

5011 - Stipend	—	£2,938.00	—	—	£2,938.00	£2,393.00
5012 - Missioner Welfare/Support	—	£4,357.82	—	—	£4,357.82	£825.00
5015 - Representative Fee	—	—	—	—	—	—
5016 - Production Costs	—	£53.33	—	—	£53.33	£19.82
5020 - Food - BIO	—	£145.71	—	—	£145.71	£188.14
5021 - Food - Isles	—	—	—	—	—	—
5022 - Lodging - BIO	—	£450.47	—	—	£450.47	—
5023 - Lodging - Isles	—	£92.28	—	—	£92.28	—
5024 - Parking/Tolls - BIO	—	£26.00	—	—	£26.00	£79.83
5025 - Parking/Tolls - Isles	—	—	—	—	—	—
5026 - Petrol - BIO	—	£529.70	—	—	£529.70	£926.24
5027 - Petrol - Isles	—	—	—	—	—	—
5028 - IT/Sound Equipment	—	—	—	—	—	£403.13
5029 - Travel - BIO	—	£1,299.17	—	—	£1,299.17	£805.98
5030 - Travel - Isles	—	—	—	—	—	—
5031 - Vehicle - BIO	—	£561.69	—	—	£561.69	£2,650.95
5032 - Vehicle - Isles	—	—	—	—	—	—
5035 - CPCC/Training - BIO	—	—	—	—	—	—
5036 - Training - Miscellaneous	—	—	—	—	—	—
5037 - Training - Petrol	—	—	—	—	—	£215.23
5038 - Training - Food Programme	—	—	—	—	—	£389.52
5039 - Training - Banquet	—	—	—	—	—	—
5040 - Training - Retreat	—	—	—	—	—	—
5041 - Training - New Missioner	—	—	—	—	—	—
5042 - Grant to Foreign Office - BIO	—	£1,000.00	—	—	£1,000.00	£10,414.18
5043 - Grant to Foreign Office - EDevO	—	—	—	—	—	£3,000.01
5044 - Office Supplies - BIO/EDevO	—	£399.49	—	—	£399.49	£174.91
5045 - Printing - BIO/EDevO	—	£396.53	—	—	£396.53	£282.67
5046 - Phone & Internet - BIO/EDevO	—	£975.92	—	—	£975.92	£874.02
5047 - Rent	£120.00	£1,320.00	—	—	£1,440.00	£1,440.00
5048 - Building Repair & Maintenance	—	—	—	—	—	—
5049 - Electricity - Utilities	—	£240.00	—	—	£240.00	£240.00
5050 - Gas - Utilities	—	£360.00	—	—	£360.00	£460.00
5051 - Water - Utilities	—	£60.00	—	—	£60.00	£60.00
5200 - ATF - Travel/Immigration	—	—	—	—	—	£726.90
5201 - ATF - Donation to Foreign Office	—	—	—	—	—	—
5202 - ATF - Visas	—	—	—	—	—	—
5210 - BIOMed - Emergency Need	—	—	—	—	—	—
5211 - BIOMed - Donation to Foreign Office	—	—	—	—	—	—
5212 - BIOMed - Health Insurance	—	—	—	—	—	£17.51
5213 - VITAL Expense	—	£1,286.64	—	—	£1,286.64	£1,714.47
5220 - Resources Fund Expenses	—	—	—	—	—	—
5221 - Resources - Postage	—	—	—	—	—	—
5222 - Royalties	—	—	—	—	—	—
5230 - WMF - Expense	—	—	—	—	—	£192.47
5231 - WMF - Donation to Foreign Office	—	—	—	—	—	—
5235 - Designated Tithe Expense	—	—	—	—	—	—
5300 - Deacons Fund Expense - Miss. Needs (R)	—	—	—	—	—	—
5320 - St. Stephen's Fund Expense (R)	—	—	—	—	—	—
5321 - St. Stephen's - Don. to Foreign Off. (R)	—	—	—	—	—	—

5322 - St. Stephen's Fund - Norman (R)	—	—	—	—	—	—
5326 - St. Stephen's Fund - Allen (R)	—	—	£6,103.50	—	£6,103.50	£3,827.01
5327 - St. Stephen's Fund - Cowser (R)	—	—	—	—	—	—
5328 - St. Stephen's Fund - Ewing (R)	—	—	£2,510.01	—	£2,510.01	£864.54
5329 - St. Stephen's Fund - Howser (R)	—	—	—	—	—	—
5330 - OMF - Expense (R)	—	—	—	—	—	—
5337 - St. Luke's Fund Expense (R)	—	—	—	—	—	—
5340 - Sound Equipment (R)	—	—	—	—	—	—
5350 - Travel Fund Expense (R)	—	—	—	—	—	—
5355 - Travel Fund (R) Don. to Foreign Off.	—	—	—	—	—	—
5360 - Vehicle Expense (R)	—	—	—	—	—	—
5365 - Vehicle Expense (R) Don. to Foreign Off.	—	—	—	—	—	—
5370 - IT/Equipment Expense (R)	—	—	—	—	—	—
Total	£120.00	£16,492.75	£8,613.51	—	£25,226.26	£33,185.53
Other expenditure						
5033 - Stolen Cash - BIO	—	—	—	—	—	—
5034 - Stolen Cash - Isles	—	—	—	—	—	—
5060 - Depreciation - Fixed Asset	—	—	—	—	—	—
5065 - Loss on Fixed Asset	—	—	—	—	—	—
5180 - Bank Fees & Charges - BIO	—	£29.60	—	—	£29.60	£18.40
5181 - Bank Fees & Charges - EDevO	—	—	—	—	—	£1.75
5182 - Continuing Education	—	—	—	—	—	—
5183 - Equipment Rental/Service	—	£1,310.40	—	—	£1,310.40	£747.60
5184 - Exchange Loss/Duty/Fee	—	—	—	—	—	—
5185 - Insurance - Office/Liability	—	£817.50	—	—	£817.50	£714.03
5186 - Interest	—	—	—	—	—	—
5187 - Legal Fees	—	—	—	—	—	—
5188 - Examiner Fees	—	—	—	—	—	—
5189 - Professional Services	—	£221.40	—	—	£221.40	£829.20
5190 - Council Tax	—	—	—	—	—	—
5191 - Trustee Expenses	—	—	—	—	—	—
Total	—	£2,378.90	—	—	£2,378.90	£2,310.98
EXPENDITURE TOTAL	£120.00	£18,871.65	£8,613.51	—	£27,605.16	£35,861.94
GRAND TOTAL	(£120.00)	£299.26	(£1,950.39)	—	(£1,771.13)	(£1,338.02)

Notes:

1. There were no trustee expenses.

2. Donations from Foreign Office increased due to the sale of the German Headquarters in January 2024. This is to reimburse some of the funds granted to Covenant Players, Germany, in order to meet the mortgage interest payments through the pandemic, securing the house during a very challenging period.

Financial Summary for the year ending 31 December 2024

Income	2024	2023
Donations	21,833.95	14,799.50
Performances	1,939.60	8,041.21
Sponsorships	0.00	0.00
Grants	0.00	0.00
Reclaimed Tax	2,060.48	2,894.17
Fundraising appeals and events	0.00	8,789.04
Advertising sales	0.00	0.00
Income from assets	0.00	0.00
Books and CDs	<u>0.00</u>	<u>0.00</u>
TOTAL INCOME	25,834.03	34,523.92
Expenditure		
Personnel costs (5 workers)	7,295.82	3,218.00
Presentation costs		
Food and Lodging	741.79	207.96
Travel	1,854.87	2,538.95
Vehicles	1,848.33	4,365.42
Support costs	3,871.94	3,952.24
Covenant Players International	1,000.00	14,211.41
Donations	8,613.51	4,691.55
Fundraising and publicity	0.00	365.43
Administration and management	2,378.90	2,310.98
Purchase of vehicles and equipment	<u>0.00</u>	<u>0.00</u>
TOTAL EXPENDITURE	27,605.16	35,861.94
Net income (deficit)	(-1,771.13)	(-1,338.02)
Bank balances end of year	2,557.79	4,328.92

Report prepared by:

Deborah Allen

29 October 2025

.....
Deborah Allen, National Director

.....
(Date)

Approved by the Trustees and signed on their behalf by:

E. E. Lock

29 October 2025

.....
Trustee

.....
(Date)



Section A

Independent Examiner's Report

Report to the trustees/
members of

Covenant Players (UK) Trust

On accounts for the year
ended

31-Dec-2024

Charity no
(if any)

1059359

Set out on pages

No additional sheets

I report to the trustees on my examination of the accounts of the above charity ("the Trust") for the year ended 31/12/2024.

Responsibilities and
basis of report

As the charity trustees of the Trust, you are responsible for the preparation of the accounts in accordance with the requirements of the Charities Act 2011 ("the Act").

I report in respect of my examination of the Trust's accounts carried out under section 145 of the 2011 Act and in carrying out my examination, I have followed the applicable Directions given by the Charity Commission under section 145(5)(b) of the Act.

Independent
examiner's statement

I have completed my examination. I confirm that no material matters have come to my attention in connection with the examination which gives me cause to believe that in, any material respect:

- accounting records were not kept in accordance with section 130 of the Act or
- the accounts do not accord with the accounting records

I have no concerns and have come across no other matters in connection with the examination to which attention should be drawn in order to enable a proper understanding of the accounts to be reached.

Signed:

Date:

27/10/2024

Name:

Kenneth Robin Bailey

Relevant professional
qualification(s) or body
(if any):

Address:

Pembroke House, Lower Park Terrace,
Pontypool
NP4 6LB

Only complete if the examiner needs to highlight matters of concern (see CC32, Independent examination of charity accounts: directions and guidance for examiners).

Give here brief details of any items that the examiner wishes to disclose.

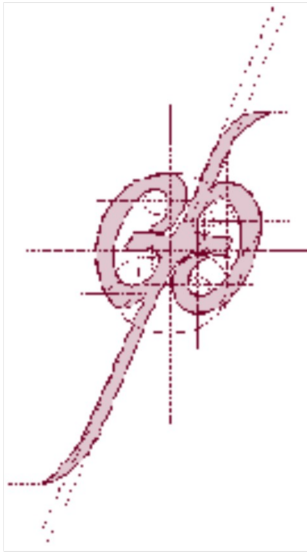
COVENANT PLAYERS UK TRUST

England & Wales - Charity number 1059359

Accounts

COVENANT PLAYERS (UK) TRUST

Annual Report 2023



*“This is the word of the Lord to Zerubbabel:
‘Not by might nor by power, but by my Spirit,’ says
the Lord Almighty.”
Zechariah 4:6 (NIV)*



Registered Charity No. 1059359

Since 1963...

Covenant Players

*...drama that touches the heart,
the mind and the soul.*



TURNED ON TO LIFE
© Charles M. Tanner

Covenant Players is a professional theatre company, fielding touring troupes throughout the world which perform original theme-based plays in service to the leadership of churches, schools, social service agencies, community and government organisations.

Covenant Players ...

- ◆ seeks to challenge people to a deeper walk in faith and action
- ◆ is a full-time touring ministry
- ◆ has served in 78 countries
- ◆ has performed in 29 languages
- ◆ has given over 2,000,000 performances world-wide.

Governing Document: **Deed of Trust dated 30th October 1996**

Covenant Players is registered with the Charity Commission of England and Wales as a charity set up for the advancement of the Christian Religion and the advancement of Education.

The objects of the Trust are:

- to advance the Christian faith, particularly through the production and performance of drama and other media to promote Christian teachings, principles, values and mores in the United Kingdom and elsewhere as the Trustees may from time to time think fit.
- to advance education of the public, particularly in the area of religious beliefs and mores in the United Kingdom and elsewhere as the Trustees may from time to time think fit.





MISSION STATEMENT

Covenant Players exists to communicate the Lord Jesus Christ through the medium of drama.

To that end we commit ourselves to:

- ◆ Go where the people are.
- ◆ Serve the leadership of the church and the community.
- ◆ Live a life worthy of our call.
- ◆ Love each other and those we serve.

In Covenant with God and one another, we dedicate ourselves to this task.

National Directors' Report

*“...for I have always been mindful of your unfailing love and have lived in reliance on your faithfulness.”
Psalm 26:3 (NIV)*



I am writing to you at the end of a very full and challenging year. I am deeply grateful to International Director **Bobbi Johnson-Tanner** and the other trustees for all of their support. Most especially, I am grateful to God for His wisdom, grace and unfailing love which has sustained us and upheld us throughout.

We were faced with several significant logistical complications this year. Many organisations were only starting to return to running a regular programme post-COVID, even so, some were still hesitant to plan events and have guests.



Classes, devotions and celebrations on Zoom!

Like many other banks, our bank, with whom we have held accounts for 40+ years, decided that as a Charitable Trust we needed to change the type of bank accounts we had. This is a growing trend in banking which is making it increasingly difficult for charities to function.

The entire process took over 18 months and included the bank closing our main development account—through which we received all our donations and support—without notice. We spent 6-months without a properly functioning bank account and I am grateful to all our donors who were so gracious and faithful in their

...drama that touches the heart,
the mind and the soul.

support through this time.

We also had responsibility for the selling of Covenant Players home and office in **Stahlhofen am Wiesensee**, near Westerburg in Germany. We made many trips backwards and forwards to Germany; joining in with performances, teaching classes and holding training sessions—whilst all the while clearing the house and preparing it for its eventual sale. These were wonderful times of fellowship and celebration as well as being deeply poignant and filled with wonderful memories. Again, the Lord was faithful in carrying us through as we waited upon His leading and answered prayer.



STATIONS © Charles M. Tanner



Masked up and ready to go!

In the midst of all this, we continued to have exciting opportunities to share the wonderful plays of **Charles M. Tanner** with audiences old and new.

Good Friday saw us out on the streets of **Newport, South Wales**, where we had the opportunity to perform **STATIONS for the third time**. This is Chuck's series of deeply moving plays, based upon the Stations of the Cross.

We were blessed to be part of the **IYE Festival**, again, hosted by the **7 Corners Youth** organisation in Abergavenny, Wales.

Then, right before Christmas, we drove across to East Anglia, where we had the pleasure of performing for a friend and pastor whom we had not seen in 16 years. He welcomed us with open arms and what a joy it was to share one of Chuck's beautiful Christmas plays, **CHRISTMAS EVE** at his various churches..



The former CP house in Stahlhofen am Wiesensee, Germany.

In a visual and media oriented world ...

Covenant Players

... is taking dynamic communication to:
churches,
schools,
conferences,
youth organisations,
adult education and training centres,
centres for the disabled,
drug and alcohol awareness programmes,
prisons,
young offenders' centres,
travellers' workshops,
military bases,
the business community,
homeless day centres,
hospitals,
nursing and retirement homes...
wherever people gather.

National Directors' Report



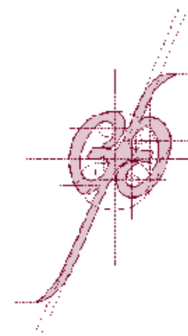
Again, we thank you for holding trust with us throughout this year, for all the ways that you have supported us through your prayers, words of encouragement and for your generous and unstinting financial support.

Thanks also to Ken Bailey, who has graciously served as our Independent Examiner, once again.



Deborah Allen
National Director &
European Supervisor

Thank you!



Financial Report

Financial Summary for the year ending 31 December 2023

Income	2023	2022
Donations	14,799.50	6,071.32
Performances	8,041.21	5,475.09
Sponsorships	0.00	0.00
Grants	0.00	0.00
Reclaimed Tax	2,894.17	2,616.69
Fundraising appeals and events	8,789.04	16,233.29
Advertising sales	0.00	0.00
Income from assets	0.00	0.00
Books and CDs	<u>0.00</u>	<u>0.00</u>
TOTAL INCOME	34,523.92	30,396.39
Expenditure		
Personnel costs (6 workers)	3,218.00	2,579.00
Presentation costs		
Food and Lodging	207.96	782.43
Travel	2,538.95	3,110.37
Vehicles	4,365.42	3,101.71
Support costs	3,952.24	4,658.19
Covenant Players International	14,211.41	7,636.52
Donations	4,691.55	6,909.45
Fundraising and publicity	365.43	286.01
Administration and management	2,310.98	2,199.85
Purchase of vehicles and equipment	<u>0.00</u>	<u>0.00</u>
TOTAL EXPENDITURE	35,861.94	31,263.53
Net income (deficit)	(-1,338.02)	(-867.14)
Bank balances end of year	4,328.92	5,666.94

Founder & Playwright

Charles M. Tanner

International Director

Bobbi M. Johnson-Tanner

Trustees

Deborah Allen
Bobbi M. Johnson-Tanner
Eileen Lock
Timothy Martin

Officer

Deborah Allen
- National Director

Bankers

Barclays Bank PLC
Leicester
LE87 2BB
Tel. (0345) 734 5345

Independent Examiner

Mr Ken Bailey
Pembroke House
Lower Park Terrace
Pontypool, NP4 6LB
Tel. (01495) 753 767



Covenant Players (UK) Trust

Registered Charity No. 1059359 (in England and Wales)

British & Irish Office and European Headquarters
32 Pine Gardens
PONTYPOOL, Wales
NP4 6BS
Tel.(01495) 651 248
Mob. (07949) 645 838

www.covenantplayers.org

COVENANT PLAYERS (UK) TRUST Registered Charity No. 1059359
Accounts for the Year to 31 December 2023
Receipts and Payments Accounts

Founder

Charles M. Tanner

International Director

Bobbi M. Johnson-Tanner

Trustees

Deborah Allen

Bobbi M. Johnson-Tanner

Eileen Lock

Timothy Martin

Officers

Deborah Allen -

National Director

Bankers

Barclays Bank PLC

Leicester

LE87 2BB

Tel. (0345) 734 5345



2023 ACCOUNTS

Independent Examiner

Mr Ken Bailey

Pembroke House

Lower Park Terrace

Pontypool, NP4 6LB

Tel. (01495) 753 767

General Fund	2 - 3
Designated Funds	4 - 5
Restricted Funds	6 - 9
Statement of Assets and Liabilities	10
Financial Summary for the year	11
Independent Examiner's Report	12

Covenant Players (UK) Trust

Registered Charity No. 1059359 (in England and Wales)

British & Irish Office and European Headquarters

32 Pine Gardens, Tranch

PONTYPOOL, Wales

NP4 6BS

Tel. (01495) 651 248

Mob. (07949) 645 838

Email: cp.bio@covenantplayers.org

www.covenantplayers.org

Accounts for the Year to 31 December 2023**Receipts and Payments Accounts****GENERAL FUND**

Income Receipts	2023	2022
Grants from other CP Offices and Donations:		
Covenant Players Foreign Offices	6,310.00	7,849.11
General Donations	8,489.50	8,884.55
Performances, Grants and Sponsorships	8,041.21	5,475.09
Fundraising Appeals and Events	1,020.62	0.00
Trading Activities <small>Note 1</small>	0.00	0.00
Income from Assets	0.00	0.00
Reclaimed Tax	<u>2,894.17</u>	<u>2,616.69</u>
Total Income	26,755.50	24,825.44
Transfers from other funds:		
From Overseas Mission Fund*	0.00	0.00
From Resources Fund	0.00	0.00
From Travel Fund*	0.00	0.00
From St. Stephen's Fund*	0.00	0.00
From BIOMed Fund	0.00	0.00
From World Mission Fund	<u>0.00</u>	<u>0.00</u>
Total Transfers	0.00	0.00
Total Income plus Transfers	26,755.50	24,825.44
Payments for Expenses		
Direct Charitable Expenditure:		
Personnel Costs (6 workers)	3,218.00	2,579.00
Presentation Costs:		
Food & Lodging	207.96	782.43
Travel	2,538.95	3,110.37
Vehicle Costs	4,365.42	3,101.71
IT/Sound Equipment Costs	403.13	738.68
Support Costs:		
Supplies, Postage, Phone	1,331.60	1,819.51
Rent, Utilities, Maintenance	2,200.00	2,100.00
Grants to Covenant Players International:		
Training	604.75	0.00
Ministry	<u>13,339.60</u>	<u>7,636.52</u>
Total Direct Charitable Expenditure	28,209.41	21,868.22

*Monies moved from Restricted Funds to reimburse immigration and travel expenses paid with credit card.

Accounts for the Year to 31 December 2023**Receipts and Payments Accounts**

	2023	2022
Other Expenditure:		
Stolen Cash	0.00	0.00
Fundraising and Publicity	365.43	286.01
Administration and Management <i>Note 1a</i>	2,310.98	2,199.85
Designated Tithe <i>Note 1b</i>	<u>0.00</u>	<u>0.00</u>
Total Other Expenditure	2,676.41	2,485.86
Payments for Fixed Assets:		
Office Equipment	<u>0.00</u>	<u>0.00</u>
Total Payments for Expenses	30,885.82	24,354.08
Transfers to other funds:		
Air Travel Fund	0.00	0.00
BIOMed Fund	0.00	0.00
World Mission Fund	0.00	0.00
Deacons Fund	0.00	0.00
Overseas Mission Fund (January 2020)	0.00	0.00
Vehicle Purchase and Repair Fund	0.00	0.00
Resources Fund	0.00	0.00
St. Stephen's Fund	<u>74.59</u>	<u>0.00</u>
Total Transfers	74.59	0.00
Total Payments plus Transfers	30,960.41	24,354.08
Net Income	-4,204.91	471.36
Opening Balance	370.42	-100.94
Closing Balance	-3,834.49	370.42

Note 1 Resource Sales are itemised separately on page 5.

Note 1a There were no trustee expenses.

Note 1b The Designated Tithe is a 10% portion of a chosen income amount sent as a donation to another ministry or for a specific need within Covenant Players ministry, outside of the United Kingdom.

Accounts for the Year to 31 December 2023**Receipts and Payments Accounts****AIR TRAVEL FUND** (Designated) Note 2

Income Receipts	2023	2022
General Donations - BIO	450.00	0.00
Grants from Covenant Players – International	0.00	350.00
Transfer from Overseas Mission Fund (January 2020)	<u>0.00</u>	<u>0.00</u>
Total Income Receipts	450.00	350.00
Payments		
Direct Charitable Expenditure:		
Travel	91.56	55.41
Support Costs:		
Visas/Fees	726.90	1,116.98
Grants to CP – Europe	0.00	0.00
Transfers to World Mission Fund	0.00	0.00
Transfers to General Fund	<u>0.00</u>	<u>0.00</u>
Total Payments	818.46	1,172.39
Net Income	-368.46	-822.39
Opening Balance	469.58	1,291.97
Closing Balance	101.12	469.58

BIO-MEDICAL FUND (Designated) Note 3

Income Receipts		
Transfers from General Fund	0.00	0.00
Grants from Covenant Players - International	<u>0.00</u>	<u>0.00</u>
Total Income Receipts	0.00	0.00
Payments		
Direct Charitable Expenditure:		
Emergency Needs	0.00	0.00
Grant to Covenant Players Europe Medical	0.00	0.00
Support Costs:		
Health Insurance	17.51	0.00
Transfers to General Fund	<u>0.00</u>	<u>0.00</u>
Total Payments	17.51	0.00
Net Income	-17.51	0.00
Opening Balance	500.00	500.00
Closing Balance	482.49	500.00

Note 2 This fund is set aside primarily to fly missionaries to their assignments around the world and for the accompanying immigration costs. It is designated from performance income – 5% of the unit weekly payment to the office.

Note 3 The Euro Medical Fund was changed to the BIO Medical Fund during 2007. The BIO Medical Fund is set aside primarily for medical emergencies for personnel. This is also designated from unit income.

Accounts for the Year to 31 December 2023**Receipts and Payments Accounts****WORLD MISSION FUND** (Designated) Note 4

Income Receipts	2023	2022
Transfers from ATF Fund	0.00	0.00
Transfers from General Fund	<u>0.00</u>	<u>0.00</u>
Total Income Receipts	0.00	0.00
Payments		
Direct Charitable Expenditure:		
Grants to Covenant Players International	192.47	0.00
Transfers to General Fund	<u>0.00</u>	<u>0.00</u>
Total Payments	192.47	0.00
Net Income	-192.47	0.00
Opening Balance	1,911.23	1,911.23
Closing Balance	1,718.76	1,911.23

RESOURCES FUND (Designated) Note 5

Income Receipts		
From Trading Activities:		
Playbooks	0.00	0.00
Devotion Books	0.00	0.00
New Sound CDs	0.00	0.00
Sunday Celebration Cassettes	0.00	0.00
Royalty Payments	0.00	0.00
Surplus Donations	0.00	0.00
BIO Resources (from 2008)	0.00	0.00
Transfer from General Fund	<u>0.00</u>	<u>0.00</u>
Total Income Receipts	0.00	0.00
Payments		
Direct Charitable Expenditure:		
Grants to Covenant Players Int. (Resources)	0.00	0.00
Royalty Payment	0.00	0.00
Transfers to General Fund Note 5a (*2022 figure correction)	<u>0.00</u>	<u>*102.49</u>
Total Payments	0.00	*102.49
Net Income	0.00	0.00
Opening Balance	581.73	684.22
Closing Balance	581.73	581.73

Note 4 The World Mission Fund supports the ongoing ministry of Covenant Players across the world. Monies are sent to the World Headquarters in Los Angeles or designated for use following discussion with the International Director. It is a designated fund – 30% of the unit weekly payment to the office. Play and performance royalties are also sent to World Headquarters.

Note 5 Resources prior to 2008 were sold on the basis of a suggested donation. They were fabricated in the USA and shipped to Covenant Players Europe. Funds have previously been returned to Covenant Players USA Resources, unless otherwise directed by the Trustees and Covenant Players' International Director. As of 2008, resources are purchased from Covenant

Accounts for the Year to 31 December 2023

Receipts and Payments Accounts

Players USA and sold in the UK. Proceeds are retained by Covenant Players (UK) Trust. Purchase costs are listed as a liability as per instructions from the Independent Examiner.

DEACONS FUND (Restricted) *Note 6*

Income Receipts	2023	2022
Donations from Covenant Players Europe	0.00	0.00
Transfers from General Fund	<u>0.00</u>	<u>0.00</u>
Total Income Receipts	0.00	0.00

Payments

Direct Charitable Expenditure:		
Grants to Individuals	0.00	0.00
Grants to Covenant Players International	0.00	1,230.00
Transfers to General Fund	<u>0.00</u>	<u>0.00</u>
Total Payments	0.00	1,230.00
Net Income	0.00	-1,230.00
Opening Balance	824.19	2,054.19
Closing Balance	824.19	824.19

OVERSEAS MISSION FUND (Restricted) *Note 7*

Income Receipts		
Transfers from General Fund (for January 2020)	0.00	0.00
Transfer from Travel (R)	0.00	0.00
Donations	<u>0.00</u>	<u>0.00</u>
Total Income Receipts	0.00	0.00

Payments

Transfer to General Fund as part of a grant to Germany	0.00	0.00
Transfer to Travel (R) Fund (January 2020) <i>Note 7a</i>	0.00	0.00
Transfer to Vehicle (R) Fund <i>Note 7a</i>	0.00	0.00
Transfer to General Fund for ATF (January 2020)	<u>0.00</u>	<u>0.00</u>
Total Payments	0.00	0.00
Net Income	0.00	0.00
Opening Balance	0.00	0.00
Closing Balance	0.00	0.00

Note 6 The Deacons Fund is administered by an appointed body of Deacons from Covenant Players Europe. Monies are disbursed as directed by the Deacons.

Note 7 The Overseas Mission Fund is for monies given to support Covenant Players' mission needs overseas.

Note 7a These monies were the remaining monies from those raised for January 2020. They were actually designated funds but were kept in a separate fund held within the Overseas Mission Fund. They remainder was transferred to the Vehicle Fund (R) and the Travel Fund (R).

Accounts for the Year to 31 December 2023**Receipts and Payments Accounts****ST. LUKE'S FUND** (Restricted) *Note 8*

Income Receipts	2023	2022
Donations	<u>0.00</u>	<u>0.00</u>
Total Income Receipts	0.00	0.00
Payments		
Health Needs	<u>0.00</u>	<u>0.00</u>
Total Payments	0.00	0.00
Net Income	0.00	0.00
Opening Balance	0.00	0.00
Closing Balance	0.00	0.00

ST. STEPHEN'S FUND (Restricted) *Note 9*

Income Receipts		
Donations	8,168.42	5,570.95
Tax Reclaimed	0.00	0.00
Transfers from General Fund	<u>74.59</u>	<u>0.00</u>
Total Income Receipts	8,243.01	5,570.95
Payments		
Direct Charitable Expenditure:		
Grants to Individuals	4,766.14	5,679.45
Grants to Units	0.00	0.00
Grants to Covenant Players International	0.00	0.00
Transfers to General Fund – Immigration Costs	<u>0.00</u>	<u>0.00</u>
Total Payments	4,766.14	5,679.45
Net Income	3,476.87	-108.50
Opening Balance	221.86	330.36
Closing Balance	3,698.73	221.86

Note 8 The St. Luke's Fund is for the benefit of Covenant Player missionaries' health needs.

Note 9 The St. Stephen's Fund, formerly the Missioner Support Fund, is for the benefit of Covenant Player missionaries, mostly individual needs, but occasionally for group needs as desired by the donor.

Accounts for the Year to 31 December 2023**Receipts and Payments Accounts****SOUND EQUIPMENT FUND** (Restricted) Note 10

Income Receipts	2023	2022
Donations	0.00	0.00
Transfers from General Fund	<u>0.00</u>	<u>0.00</u>
Total Income Receipts	0.00	0.00
Payments		
Repair and Maintenance	<u>0.00</u>	<u>0.00</u>
Total Payments	0.00	0.00
	Net Income	0.00
	Opening Balance	1.00
	Closing Balance	1.00

TRAVEL FUND (Restricted) Note 11

Income Receipts		
Donations	0.00	0.00
Transfer from Overseas Mission Fund (January 2020)	0.00	0.00
Tax Reclaimed	<u>0.00</u>	<u>0.00</u>
Total Income Receipts	0.00	0.00
Payments		
Direct Charitable Expenditure:		
Grants to Covenant Players International (Travel)	0.00	0.00
Travel	0.00	0.00
Transfer to General Fund (ATF)	0.00	0.00
Transfer to OMF (for January 2020)	<u>0.00</u>	<u>0.00</u>
Total Payments	0.00	0.00
	Net Income	0.00
	Opening Balance	0.00
	Closing Balance	0.00

Note 10 The Sound Equipment Fund is for the repair and purchase of sound equipment for the use of the ministry, particularly the "Catalysts" music ministry.

Note 11 The Travel Fund is for monies raised to get CP missionaries to their mission areas, or for other special travel needs where the expense originates with Covenant Players (UK) Trust.

Accounts for the Year to 31 December 2023**Receipts and Payments Accounts****VEHICLE PURCHASE AND REPAIR FUND** (Restricted) Note 12

Income Receipts	2023	2022
Donations	0.00	0.00
Transfers from Overseas Mission Fund (see Note 7a)	0.00	0.00
Tax Reclaimed	<u>0.00</u>	<u>0.00</u>
Total Income Receipts	0.00	0.00
Payments		
Direct Charitable Expenditure:		
Vehicle Repairs	0.00	0.00
Purchase of Vehicle	0.00	0.00
Grant to Covenant Players Europe (Vehicle)	0.00	0.00
Transfers to General Fund – VITAL*	<u>0.00</u>	<u>0.00</u>
Total Payments	0.00	0.00
Net Income	0.00	0.00
Opening Balance	-137.95	-137.95
Closing Balance	-137.95	-137.95

EQUIPMENT FUND (Restricted) Note 13

Income Receipts		
Equipment Donations	0.00	0.00
Transfers from General Fund	<u>0.00</u>	<u>0.00</u>
Total Income Receipts	0.00	0.00
Payments		
Equipment Purchases	0.00	0.00
Transfers to General Fund	<u>0.00</u>	<u>0.00</u>
Total Payments	0.00	0.00
Net Income	0.00	0.00
Opening Balance	0.00	0.00
Closing Balance	0.00	0.00

Note 12 The Vehicle Purchase and Repair Fund has two functions. On the road, it is mainly used for repairs to unit vehicles. From the office, it is used for purchasing and maintaining vehicles.

*VITAL = Vehicle Insurance, Tax and Licensing Fund

Note 13 The Equipment Fund was established in 2003 for donated funds for the purchase of ministry-related equipment, especially computer/IT equipment.

COVENANT PLAYERS (UK) TRUST Registered Charity No. 1059359
Accounts for the Year to 31 December 2023
Receipts and Payments Accounts

FINANCIAL REPORT

Financial Summary for the year ended 31 December 2023

Statement of Assets and Liabilities

Monetary Assets:

Bank Deposits	£4,256.30
Petty Cash	<u>£72.62</u>
Total Monetary Assets:	£4,328.92

Liabilities

2 payments owing on photocopier (ends June 2024) (copier and contract as of July 2019 @ £191.00 + 20% VAT per quarter = £229.20)	£458.40
---	---------

Non-monetary Assets for use in direct charitable activity:

Vehicle Fleet

Ford Torneo Connect (March 2016) CK16 LLV purchased in full from October 2016 to March 2017 with (R) donations received for that purpose. Total paid: **£18,007.77**

Covenant Players has the use of **1** other vehicle:

Ford Fiesta Diesel (2012) DK12 VGC (Allen)

Sound Equipment

4 microphones (purchased 1997 for approximately £168.00)
2 speakers (purchased 2002 for £166.00)
Mixer/amplifier 9 channel (donated 2000 from Covenant Players Europe)

Resources (from 2008)

17 Playbooks = cost £18.88
63 Music CDs = cost £293.68

Equipment for use in support activities of the charity:

3 telephones and answering machine (purchased in 2012 for £74.99)
1 shredder (purchased in 2006 for £19.99)
Telephones, desks, filing cabinets, office chairs (purchased 1990-2012 value £0.00)
Second-hand household furniture (donated and purchased through the years value £0.00)

Report prepared by:

Deborah Allen

30 October 2024

Deborah Allen, National Director

(Date)

Approved by the Trustees and signed on their behalf by:

E. E. Lock

30 October 2024

Trustee

(Date)

COVENANT PLAYERS (UK) TRUST Registered Charity No. 1059359
Accounts for the Year to 31 December 2023
Receipts and Payments Accounts

Financial Summary for the year ending 31 December 2023

Income	2023	2022
Donations	14,799.50	6,071.32
Performances	8,041.21	5,475.09
Sponsorships	0.00	0.00
Grants	0.00	0.00
Reclaimed Tax	2,894.17	2,616.69
Fundraising appeals and events	8,789.04	16,233.29
Advertising sales	0.00	0.00
Income from assets	0.00	0.00
Books and CDs	0.00	0.00
TOTAL INCOME	34,523.92	30,396.39
Expenditure		
Personnel costs (6 workers)	3,218.00	2,579.00
Presentation costs		
Food and Lodging	207.96	782.43
Travel	2,538.95	3,110.37
Vehicles	4,365.42	3,101.71
Support costs	3,952.24	4,658.19
Covenant Players International	14,211.41	7,636.52
Donations	4,691.55	6,909.45
Fundraising and publicity	365.43	286.01
Administration and management	2,310.98	2,199.85
Purchase of vehicles and equipment	0.00	0.00
TOTAL EXPENDITURE	35,861.94	31,263.53
Net income (deficit)	(-1,338.02)	(-867.14)
Bank balances end of year	4,328.92	5,666.94

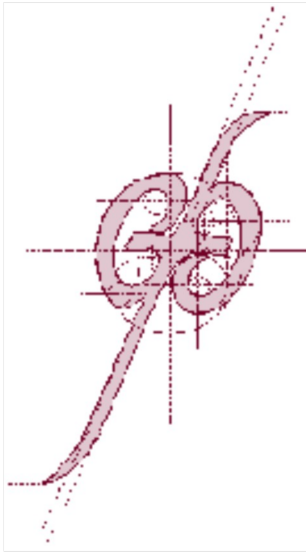
COVENANT PLAYERS UK TRUST

England & Wales - Charity number 1059359

Accounts

COVENANT PLAYERS (UK) TRUST

Annual Report 2022



*“This is the word of the Lord to Zerubbabel:
‘Not by might nor by power, but by my Spirit,’ says
the Lord Almighty.”
Zechariah 4:6 (NIV)*



Registered Charity No. 1059359

Since 1963...

Covenant Players

*...drama that touches the heart,
the mind and the soul.*



BACKSTAGE UPSTAGE
© Charles M. Tanner

Covenant Players is a professional theatre company, fielding touring troupes throughout the world which perform original theme-based plays in service to the leadership of churches, schools, social service agencies, community and government organisations.

Covenant Players ...

- ◆ seeks to challenge people to a deeper walk in faith and action
- ◆ is a full-time touring ministry
- ◆ has served in 78 countries
- ◆ has performed in 29 languages
- ◆ has given over 2,000,000 performances world-wide.

Governing Document: **Deed of Trust dated 30th October 1996**

Covenant Players is registered with the Charity Commission of England and Wales as a charity set up for the advancement of the Christian Religion and the advancement of Education.

The objects of the Trust are:

- to advance the Christian faith, particularly through the production and performance of drama and other media to promote Christian teachings, principles, values and mores in the United Kingdom and elsewhere as the Trustees may from time to time think fit.
- to advance education of the public, particularly in the area of religious beliefs and mores in the United Kingdom and elsewhere as the Trustees may from time to time think fit.





MISSION STATEMENT

Covenant Players exists to communicate the Lord Jesus Christ through the medium of drama.

To that end we commit ourselves to:

- ◆ Go where the people are.
- ◆ Serve the leadership of the church and the community.
- ◆ Live a life worthy of our call.
- ◆ Love each other and those we serve.

In Covenant with God and one another, we dedicate ourselves to this task.

National Directors' Report

*“...for I have always been mindful of your unfailing love and have lived in reliance on your faithfulness.”
Psalm 26:3 (NIV)*



Once again this year was indeed a testimony to the **faithfulness of God**. Equally to the *faithfulness and generosity* of Covenant Players' supporters, and to the *faithfulness and stamina* of the Covenant Players missionaries themselves.

We slowly started to find opportunities to perform, although, many churches continued to hold services via Zoom and maintained strict distancing procedures. Schools, too, were reluctant to allow visiting groups into their premises due to the high incidence of COVID transmissions.



Classes, devotions and celebrations on Zoom!

During this time we maintained our CP community with classes, regular devotions and special events on Zoom.

With limited prospects for performances there were few sources of income, other than that which we could seek through possible grants and fundraising. Of course,

we were just one organisation among many. More than ever we were completely reliant upon the consistent generosity and financial support of our regular supporters. **We continue to be indebted to them for their gifts of love, faith and encouragement during such a challenging time in our history.**

...drama that touches the heart,
the mind and the soul.

As spring moved into summer, better weather and the chance to get outside seemed to give people a confidence to start to move out into the community and to begin to socialise, once again. This was greatly helped by **HM Queen Elizabeth II's Platinum Jubilee** in June. We were blessed to be part of the celebrations, performing at a community street party in Chesterfield, Derbyshire.



HM Queen Elizabeth II

Other special outdoor programmes included performing at the **IYE Festival** in Abergavenny in Wales, and at the **Durrington Village and Vintage Vehicle Show**, in Durrington, Wiltshire.



Masked up and ready to go!

Performances further afield took us to Derby, Hull, and Telford as well as a very special performance at the **Stavanger International Church** in Stavanger, Norway. On this occasion the programme had to change at very short-notice due to a tragedy within the congregation. We were blessed to have the repertoire of plays available that allowed us to choose something which spoke right to the point of need and ministered deeply to the congregation.



In July, I was finally able to travel to Germany, joining together with the Covenant Players based there for the first time since February 2020. It was a blessed time of fellowship and community and hard work. We worked together beginning the process of preparing to put the house at **Stahlhofen am Wiesensee, Germany**, up for sale. This has been a huge undertaking which continued throughout the year. I made a further trip across to continue the work in October/November.



The CP house in Stahlhofen am Wiesensee, Germany.

In a visual and media oriented world ...

Covenant Players

... is taking dynamic communication to:
churches,
schools,
conferences,
youth organisations,
adult education and training centres,
centres for the disabled,
drug and alcohol awareness programmes,
prisons,
young offenders' centres,
travellers' workshops,
military bases,
the business community,
homeless day centres,
hospitals,
nursing and retirement homes...
wherever people gather.

National Directors' Report



We hope for a further increase in performances in 2023 as organisations become more used to functioning with the existence of COVID. However, we are mindful of God's constancy and faithfulness throughout these past 3 years and we look forward with hope .

Again, we thank you for holding trust with us throughout this year, for all the ways that you have supported us through your prayers, words of encouragement and for your generous and unstinting financial support.

Thank you!

Deborah Allen
National Director &
European Supervisor



Financial Report

Financial Summary for the year ending 31 December 2022

Income	2022	2021
Donations	6,071.32	594.70
Performances	5,475.09	580.00
Sponsorships	0.00	0.00
Grants	0.00	0.00
Reclaimed Tax	2,616.69	2,510.73
Fundraising appeals and events	16,233.29	21,716.23
Advertising sales	0.00	0.00
Income from assets	0.00	0.00
Books and CDs	<u>0.00</u>	<u>0.00</u>
TOTAL INCOME	30,396.39	25,401.66
Expenditure		
Personnel costs (6 workers)	2,579.00	0.00
Presentation costs		
Food and Lodging	782.43	242.26
Travel	3,110.37	6,063.97
Vehicles	3,101.71	1,506.10
Support costs	4,658.19	4,860.65
Covenant Players International	7,636.52	5,012.51
Donations	6,909.45	7,632.57
Fundraising and publicity	286.01	269.30
Administration and management	2,199.85	2,651.29
Purchase of vehicles and equipment	<u>0.00</u>	<u>0.00</u>
TOTAL EXPENDITURE	31,263.53	28,238.65
Net income (deficit)	(-867.14)	(-2,836.99)
Bank balances end of year	5,666.94	6,534.08

Founder & Playwright

Charles M. Tanner

International Director

Bobbi M. Johnson-Tanner

Trustees

Deborah Allen
Bobbi M. Johnson-Tanner
Eileen Lock
Timothy Martin

Officer

Deborah Allen
- National Director

Bankers

Barclays Bank PLC
Leicester
LE87 2BB
Tel. (0345) 734 5345

Independent Examiner

Mr Ken Bailey
Pembroke House
Lower Park Terrace
Pontypool, NP4 6LB
Tel. (01495) 753 767



Covenant Players (UK) Trust

Registered Charity No. 1059359 (in England and Wales)

British & Irish Office and European Headquarters
32 Pine Gardens
PONTYPOOL, Wales
NP4 6BS
Tel.(01495) 651 248
Mob. (07949) 645 838

www.covenantplayers.org

COVENANT PLAYERS (UK) TRUST Registered Charity No. 1059359
Accounts for the Year to 31 December 2022
Receipts and Payments Accounts

Founder

Charles M. Tanner

International Director

Bobbi M. Johnson-Tanner

Trustees

Deborah Allen

Bobbi M. Johnson-Tanner

Eileen Lock

Timothy Martin

Officers

Deborah & Geoffrey Allen -

National Directors

Bankers

Barclays Bank PLC

Leicester

LE87 2BB

Tel. (0345) 734 5345

Independent Examiner

Mr Ken Bailey

Pembroke House

Lower Park Terrace

Pontypool, NP4 6LB

Tel. (01495) 753 767



2022 ACCOUNTS

General Fund	2 - 3
Designated Funds	4 - 5
Restricted Funds	6 - 9
Statement of Assets and Liabilities	10
Financial Summary for the year	11
Independent Examiner's Report	12

Covenant Players (UK) Trust

Registered Charity No. 1059359 (in England and Wales)

British & Irish Office and European Headquarters

32 Pine Gardens, Tranch

PONTYPOOL, Wales

NP4 6BS

Tel. (01495) 651 248

Mob. (07949) 645 838

Email: cp.bio@covenantplayers.org

www.covenantplayers.org

COVENANT PLAYERS (UK) TRUST Registered Charity No. 1059359
Accounts for the Year to 31 December 2022
Receipts and Payments Accounts

GENERAL FUND

Income Receipts	2022	2021
Grants from other CP Offices and Donations:		
Covenant Players Foreign Offices	7,849.11	0.00
General Donations	8,884.55	594.70
Performances, Grants and Sponsorships	5,475.09	580.00
Fundraising Appeals and Events	0.00	11,150.33
Trading Activities <small>Note 1</small>	0.00	0.00
Income from Assets	0.00	0.00
Reclaimed Tax	<u>2,616.69</u>	<u>2,510.73</u>
Total Income	24,825.44	14,835.76
Transfers from other funds:		
From Overseas Mission Fund*	0.00	467.92
From Resources Fund	0.00	5,000.00
From Travel Fund*	0.00	841.33
From St. Stephen's Fund*	0.00	4,390.63
From BIOMed Fund	0.00	5,993.84
From World Mission Fund	<u>0.00</u>	<u>3,000.00</u>
Total Transfers	0.00	19,693.72
Total Income plus Transfers	24,825.44	34,529.48

Payments for Expenses

Direct Charitable Expenditure:		
Personnel Costs (6 workers)	2,579.00	0.00
Presentation Costs:		
Food & Lodging	782.43	242.26
Travel	3,110.37	1,668.27
Vehicle Costs	3,101.71	1,506.10
IT/Sound Equipment Costs	738.68	0.00
Support Costs:		
Supplies, Postage, Phone	1,819.51	2,568.85
Rent, Utilities, Maintenance	2,100.00	2,200.00
Grants to Covenant Players International:		
Training	0.00	0.00
Ministry	<u>7,636.52</u>	<u>5,012.51</u>
Total Direct Charitable Expenditure	21,868.22	13,197.99

*Monies moved from Restricted Funds to reimburse immigration and travel expenses paid with credit card.

Accounts for the Year to 31 December 2022**Receipts and Payments Accounts**

	2022	2021
Other Expenditure:		
Stolen Cash	0.00	0.00
Fundraising and Publicity	286.01	269.30
Administration and Management <i>Note 1a</i>	2,199.85	2,651.29
Designated Tithe <i>Note 1b</i>	<u>0.00</u>	<u>0.00</u>
Total Other Expenditure	2,485.86	2,920.59
Payments for Fixed Assets:		
Office Equipment	<u>0.00</u>	<u>0.00</u>
Total Payments for Expenses	24,354.08	16,118.58
Transfers to other funds:		
Air Travel Fund	0.00	5,231.96
BIOMed Fund	0.00	0.00
World Mission Fund	0.00	0.00
Deacons Fund	0.00	0.00
Overseas Mission Fund (January 2020)	0.00	0.00
Vehicle Purchase and Repair Fund	0.00	0.00
Resources Fund	0.00	0.00
St. Stephen's Fund	<u>0.00</u>	<u>489.70</u>
Total Transfers	0.00	5,721.66
Total Payments plus Transfers	24,354.08	21,840.24
Net Income	471.36	12,689.24
Opening Balance	-100.94	-12,790.18
Closing Balance	370.42	-100.94

Note 1 Resource Sales are itemised separately on page 5.

Note 1a There were no trustee expenses.

Note 1b The Designated Tithe is a 10% portion of a chosen income amount sent as a donation to another ministry or for a specific need within Covenant Players ministry, outside of the United Kingdom.

Accounts for the Year to 31 December 2022**Receipts and Payments Accounts****AIR TRAVEL FUND** (Designated) Note 2

Income Receipts	2022	2021
Transfers from General Fund	0.00	5,231.96
Grants from Covenant Players – International	350.00	0.00
Transfer from Overseas Mission Fund (January 2020)	<u>0.00</u>	<u>0.00</u>
Total Income Receipts	350.00	5,231.96
Payments		
Direct Charitable Expenditure:		
Travel	55.41	5.07
Support Costs:		
Visas/Fees	1,116.98	4,390.63
Grants to CP – Europe	0.00	0.00
Transfers to World Mission Fund	0.00	0.00
Transfers to General Fund	<u>0.00</u>	<u>0.00</u>
Total Payments	1,172.39	4,395.70
Net Income	-822.39	836.26
Opening Balance	1,291.97	455.71
Closing Balance	469.58	1,291.97

BIO-MEDICAL FUND (Designated) Note 3

Income Receipts		
Transfers from General Fund	0.00	0.00
Grants from Covenant Players - International	<u>0.00</u>	<u>0.00</u>
Total Income Receipts	0.00	0.00
Payments		
Direct Charitable Expenditure:		
Emergency Needs	0.00	0.00
Grant to Covenant Players Europe Medical	0.00	0.00
Support Costs:		
Health Insurance	0.00	0.00
Transfers to General Fund	<u>0.00</u>	<u>5,993.84</u>
Total Payments	0.00	5,993.84
Net Income	0.00	-5,993.84
Opening Balance	500.00	6,493.84
Closing Balance	500.00	500.00

Note 2 This fund is set aside primarily to fly missionaries to their assignments around the world and for the accompanying immigration costs. It is designated from performance income – 5% of the unit weekly payment to the office.

Note 3 The Euro Medical Fund was changed to the BIO Medical Fund during 2007. The BIO Medical Fund is set aside primarily for medical emergencies for personnel. This is also designated from unit income.

Accounts for the Year to 31 December 2022**Receipts and Payments Accounts****WORLD MISSION FUND** (Designated) Note 4

Income Receipts	2022	2021
Transfers from ATF Fund	0.00	0.00
Transfers from General Fund	<u>0.00</u>	<u>0.00</u>
Total Income Receipts	0.00	0.00
Payments		
Direct Charitable Expenditure:		
Grants to Covenant Players International	0.00	0.00
Transfers to General Fund	<u>0.00</u>	<u>3,000.00</u>
Total Payments	0.00	3,000.00
Net Income	0.00	-3,000.00
Opening Balance	1,911.23	4,911.23
Closing Balance	1,911.23	1,911.23

RESOURCES FUND (Designated) Note 5

Income Receipts		
From Trading Activities:		
Playbooks	0.00	0.00
Devotion Books	0.00	0.00
New Sound CDs	0.00	0.00
Sunday Celebration Cassettes	0.00	0.00
Royalty Payments	0.00	0.00
Surplus Donations	0.00	0.00
BIO Resources (from 2008)	0.00	0.00
Transfer from General Fund	<u>0.00</u>	<u>0.00</u>
Total Income Receipts	0.00	0.00
Payments		
Direct Charitable Expenditure:		
Grants to Covenant Players Int. (Resources)	0.00	0.00
Royalty Payment	0.00	0.00
Transfers to General Fund	<u>0.00</u>	<u>5,000.00</u>
Total Payments	0.00	5,000.00
Net Income	0.00	-5,000.00
Opening Balance	684.22	5,684.22
Closing Balance	684.22	684.22

Note 4 The World Mission Fund supports the ongoing ministry of Covenant Players across the world. Monies are sent to the World Headquarters in Los Angeles or designated for use following discussion with the International Director. It is a designated fund – 30% of the unit weekly payment to the office. Play and performance royalties are also sent to World Headquarters.

Note 5 Resources prior to 2008 were sold on the basis of a suggested donation. They were fabricated in the USA and shipped to Covenant Players Europe. Funds have previously been returned to Covenant Players USA Resources, unless otherwise directed by the Trustees and Covenant Players' International Director. As of 2008, resources are purchased from Covenant Players USA and sold in the UK. Proceeds are retained by Covenant Players (UK) Trust. Purchase costs are listed as a liability as per instructions from the Independent Examiner.

Accounts for the Year to 31 December 2022**Receipts and Payments Accounts****DEACONS FUND** (Restricted) *Note 6*

Income Receipts	2022	2021
Donations from Covenant Players Europe	0.00	0.00
Transfers from General Fund	<u>0.00</u>	<u>0.00</u>
Total Income Receipts	0.00	0.00

Payments

Direct Charitable Expenditure:		
Grants to Individuals	0.00	0.00
Grants to Covenant Players International	1,230.00	0.00
Transfers to General Fund	<u>0.00</u>	<u>0.00</u>
Total Payments	1,230.00	0.00
Net Income	-1,230.00	0.00
Opening Balance	2,054.19	2,054.19
Closing Balance	824.19	2,054.19

OVERSEAS MISSION FUND (Restricted) *Note 7*

Income Receipts		
Transfers from General Fund (for January 2020)	0.00	0.00
Transfer from Travel (R)	0.00	0.00
Donations	<u>0.00</u>	<u>0.00</u>
Total Income Receipts	0.00	0.00

Payments

Transfer to General Fund as part of a grant to Germany	0.00	467.92
Transfer to Travel (R) Fund (January 2020) <i>Note 7a</i>	0.00	841.33
Transfer to Vehicle (R) Fund <i>Note 7a</i>	0.00	1037.13
Transfer to General Fund for ATF (January 2020)	<u>0.00</u>	<u>0.00</u>
Total Payments	0.00	2,346.38
Net Income	0.00	-2,346.38
Opening Balance	0.00	2,346.38
Closing Balance	0.00	0.00

Note 6 The Deacons Fund is administered by an appointed body of Deacons from Covenant Players Europe. Monies are disbursed as directed by the Deacons.

Note 7 The Overseas Mission Fund is for monies given to support Covenant Players' mission needs overseas.

Note 7a These monies were the remaining monies from those raised for January 2020. They were actually designated funds but were kept in a separate fund held within the Overseas Mission Fund. They remainder was transferred to the Vehicle Fund (R) and the Travel Fund (R).

COVENANT PLAYERS (UK) TRUST Registered Charity No. 1059359
Accounts for the Year to 31 December 2022
Receipts and Payments Accounts

ST. LUKE'S FUND (Restricted) Note 8

Income Receipts	2022	2021
Donations	<u>0.00</u>	<u>0.00</u>
Total Income Receipts	0.00	0.00
Payments		
Health Needs	<u>0.00</u>	<u>91.80</u>
Total Payments	0.00	91.80
Net Income	0.00	-91.80
Opening Balance	0.00	91.80
Closing Balance	0.00	0.00

ST. STEPHEN'S FUND (Restricted) Note 9

Income Receipts		
Donations	5,570.95	10,565.90
Tax Reclaimed	0.00	0.00
Transfers from General Fund	<u>0.00</u>	<u>489.70</u>
Total Income Receipts	5,570.95	11,055.60
Payments		
Direct Charitable Expenditure:		
Grants to Individuals	5,679.45	7,632.57
Grants to Units	0.00	0.00
Grants to Covenant Players International	0.00	0.00
Transfers to General Fund – Immigration Costs	<u>0.00</u>	<u>4,390.63</u>
Total Payments	5,679.45	12,023.20
Net Income	-108.50	-967.60
Opening Balance	330.36	1,297.96
Closing Balance	221.86	330.36

Note 8 The St. Luke's Fund is for the benefit of Covenant Player missionaries' health needs.

Note 9 The St. Stephen's Fund, formerly the Missioner Support Fund, is for the benefit of Covenant Player missionaries, mostly individual needs, but occasionally for group needs as desired by the donor.

Accounts for the Year to 31 December 2022**Receipts and Payments Accounts****SOUND EQUIPMENT FUND** (Restricted) Note 10

Income Receipts	2022	2021
Donations	0.00	0.00
Transfers from General Fund	<u>0.00</u>	<u>0.00</u>
Total Income Receipts	0.00	0.00
Payments		
Repair and Maintenance	<u>0.00</u>	<u>0.00</u>
Total Payments	0.00	0.00
Net Income	0.00	0.00
Opening Balance	1.00	1.00
Closing Balance	1.00	1.00

TRAVEL FUND (Restricted) Note 11

Income Receipts		
Donations	0.00	0.00
Transfer from Overseas Mission Fund (January 2020)	0.00	841.33
Tax Reclaimed	<u>0.00</u>	<u>0.00</u>
Total Income Receipts	0.00	841.33
Payments		
Direct Charitable Expenditure:		
Grants to Covenant Players International (Travel)	0.00	0.00
Travel	0.00	0.00
Transfer to General Fund (ATF)	0.00	841.33
Transfer to OMF (for January 2020)	<u>0.00</u>	<u>0.00</u>
Total Payments	0.00	841.33
Net Income	0.00	0.00
Opening Balance	0.00	0.00
Closing Balance	0.00	0.00

Note 10 The Sound Equipment Fund is for the repair and purchase of sound equipment for the use of the ministry, particularly the "Catalysts" music ministry.

Note 11 The Travel Fund is for monies raised to get CP missionaries to their mission areas, or for other special travel needs where the expense originates with Covenant Players (UK) Trust.

COVENANT PLAYERS (UK) TRUST Registered Charity No. 1059359
Accounts for the Year to 31 December 2022
Receipts and Payments Accounts

VEHICLE PURCHASE AND REPAIR FUND (Restricted) Note 12

Income Receipts	2022	2021
Donations	0.00	0.00
Transfers from Overseas Mission Fund (see Note 7a)	0.00	1,037.13
Tax Reclaimed	<u>0.00</u>	<u>0.00</u>
Total Income Receipts	0.00	1,037.13
 Payments		
Direct Charitable Expenditure:		
Vehicle Repairs	0.00	0.00
Purchase of Vehicle	0.00	0.00
Grant to Covenant Players Europe (Vehicle)	0.00	0.00
Transfers to General Fund – VITAL*	<u>0.00</u>	<u>0.00</u>
Total Payments	0.00	0.00
Net Income	0.00	1,037.13
Opening Balance	-137.95	-1,175.08
Closing Balance	-137.95	-137.95

EQUIPMENT FUND (Restricted) Note 13

Income Receipts		
Equipment Donations	0.00	0.00
Transfers from General Fund	<u>0.00</u>	<u>0.00</u>
Total Income Receipts	0.00	0.00
 Payments		
Equipment Purchases	0.00	0.00
Transfers to General Fund	<u>0.00</u>	<u>0.00</u>
Total Payments	0.00	0.00
Net Income	0.00	0.00
Opening Balance	0.00	0.00
Closing Balance	0.00	0.00

Note 12 The Vehicle Purchase and Repair Fund has two functions. On the road, it is mainly used for repairs to unit vehicles. From the office, it is used for purchasing and maintaining vehicles.

*VITAL = Vehicle Insurance, Tax and Licensing Fund

Note 13 The Equipment Fund was established in 2003 for donated funds for the purchase of ministry-related equipment, especially computer/IT equipment.

COVENANT PLAYERS (UK) TRUST Registered Charity No. 1059359
Accounts for the Year to 31 December 2022
Receipts and Payments Accounts

FINANCIAL REPORT

Financial Summary for the year ended 31 December 2022

Statement of Assets and Liabilities

Monetary Assets:

Bank Deposits	£5,595.65
Petty Cash	<u>£71.29</u>
Total Monetary Assets:	£5,666.94

Liabilities

6 payments owing on photocopier (ends June 2024) (copier and contract as of July 2019 @ £191.00 + 20% VAT per quarter = £229.20)	£1,375.20
---	-----------

Non-monetary Assets for use in direct charitable activity:

Vehicle Fleet

Ford Torneo Connect (March 2016) CK16 LLV purchased in full from October 2016 to March 2017 with (R) donations received for that purpose. Total paid: **£18,007.77**

Covenant Players has the use of **1** other vehicle:

Ford Fiesta Diesel (2012) DK12 VGC (Allen)

Sound Equipment

4 microphones (purchased 1997 for approximately £168.00)
2 speakers (purchased 2002 for £166.00)
Mixer/amplifier 9 channel (donated 2000 from Covenant Players Europe)

Resources (from 2008)

17 Playbooks = cost £18.88
63 Music CDs = cost £293.68

Equipment for use in support activities of the charity:

3 telephones and answering machine (purchased in 2012 for £74.99)
1 shredder (purchased in 2006 for £19.99)
Telephones, desks, filing cabinets, office chairs (purchased 1990-2012 value £0.00)
Second-hand household furniture (donated and purchased through the years value £0.00)

Report prepared by:

Deborah Allen

27 October 2023

Deborah Allen, National Director

(Date)

Geoffrey Allen

27 October 2023

Geoffrey Allen, National Director

(Date)

Approved by the Trustees and signed on their behalf by:

Eileen Lock

27 October 2023

Trustee

(Date)

Accounts for the Year to 31 December 2022**Receipts and Payments Accounts****Financial Summary for the year ending 31 December 2022**

Income	2022	2021
Donations	6,071.32	594.70
Performances	5,475.09	580.00
Sponsorships	0.00	0.00
Grants	0.00	0.00
Reclaimed Tax	2,616.69	2,510.73
Fundraising appeals and events	16,233.29	21,716.23
Advertising sales	0.00	0.00
Income from assets	0.00	0.00
Books and CDs	<u>0.00</u>	<u>0.00</u>
TOTAL INCOME	30,396.39	25,401.66
Expenditure		
Personnel costs (6 workers)	2,579.00	0.00
Presentation costs		
Food and Lodging	782.43	242.26
Travel	3,110.37	6,063.97
Vehicles	3,101.71	1,506.10
Support costs	4,658.19	4,860.65
Covenant Players International	7,636.52	5,012.51
Donations	6,909.45	7,632.57
Fundraising and publicity	286.01	269.30
Administration and management	2,199.85	2,651.29
Purchase of vehicles and equipment	<u>0.00</u>	<u>0.00</u>
TOTAL EXPENDITURE	31,263.53	28,238.65
Net income (deficit)	(-867.14)	(-2,836.99)
Bank balances end of year	5,666.94	6,534.08



Section A

Independent Examiner's Report

**Report to the trustees/
members of**

Covenant Players (UK) Trust

**On accounts for the year
ended**

31-Dec-2022

**Charity no
(if any)**

1059359

Set out on pages

No additional sheets

I report to the trustees on my examination of the accounts of the above charity ("the Trust") for the year ended 31/12/2022.

**Responsibilities and
basis of report**

As the charity trustees of the Trust, you are responsible for the preparation of the accounts in accordance with the requirements of the Charities Act 2011 ("the Act").

I report in respect of my examination of the Trust's accounts carried out under section 145 of the 2011 Act and in carrying out my examination, I have followed the applicable Directions given by the Charity Commission under section 145(5)(b) of the Act.

**Independent
examiner's statement**

I have completed my examination. I confirm that no material matters have come to my attention in connection with the examination which gives me cause to believe that in, any material respect:

- accounting records were not kept in accordance with section 130 of the Act or
- the accounts do not accord with the accounting records

I have no concerns and have come across no other matters in connection with the examination to which attention should be drawn in order to enable a proper understanding of the accounts to be reached.

Signed:

KR Bailey

Date:

26/10/2023

Name:

Kenneth Robin Bailey

**Relevant professional
qualification(s) or body
(if any):**

Address:

Pembroke House, Lower Park Terrace,

Pontypool

NP4 6LB

Only complete if the examiner needs to highlight matters of concern (see CC32, Independent examination of charity accounts: directions and guidance for examiners).

Give here brief details of any items that the examiner wishes to disclose.

[Empty box for disclosure details]

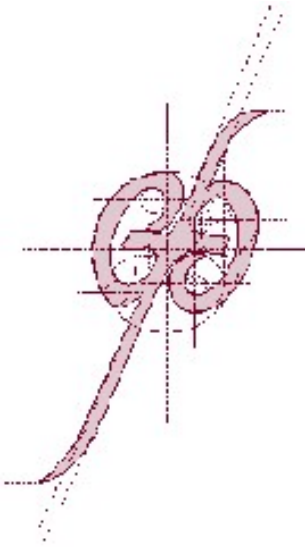
COVENANT PLAYERS UK TRUST

England & Wales - Charity number 1059359

Accounts

COVENANT PLAYERS (UK) TRUST

Annual Report 2021



“He has shown you, O mortal, what is good. And what does the LORD require of you? To act justly and to love mercy and to walk humbly with your God.” Micah 6:8 (NIV)



Registered Charity No. 1059359

Since 1963...

Covenant Players

*...drama that touches the heart,
the mind and the soul.*



BACKSTAGE UPSTAGE
© Charles M. Tanner

Covenant Players is a professional theatre company, fielding touring troupes throughout the world which perform original theme-based plays in service to the leadership of churches, schools, social service agencies, community and government organisations.

Covenant Players ...

- ◆ seeks to challenge people to a deeper walk in faith and action
- ◆ is a full-time touring ministry
- ◆ has served in 78 countries
- ◆ has performed in 29 languages
- ◆ has given over 2,000,000 performances world-wide.

Governing Document: **Deed of Trust dated 30th October 1996**

Covenant Players is registered with the Charity Commission of England and Wales as a charity set up for the advancement of the Christian Religion and the advancement of Education.

The objects of the Trust are:

- to advance the Christian faith, particularly through the production and performance of drama and other media to promote Christian teachings, principles, values and mores in the United Kingdom and elsewhere as the Trustees may from time to time think fit.
- to advance education of the public, particularly in the area of religious beliefs and mores in the United Kingdom and elsewhere as the Trustees may from time to time think fit.





MISSION STATEMENT

Covenant Players exists to communicate the Lord Jesus Christ through the medium of drama.

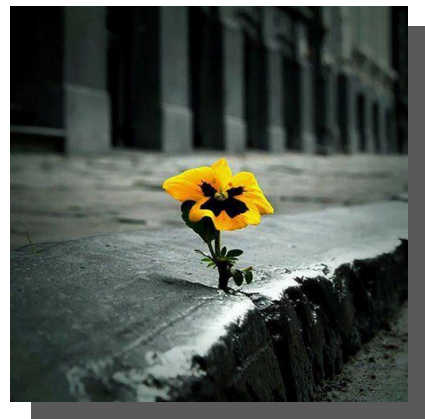
To that end we commit ourselves to:

- ◆ Go where the people are.
- ◆ Serve the leadership of the church and the community.
- ◆ Live a life worthy of our call.
- ◆ Love each other and those we serve.

In Covenant with God and one another, we dedicate ourselves to this task.

National Directors' Report

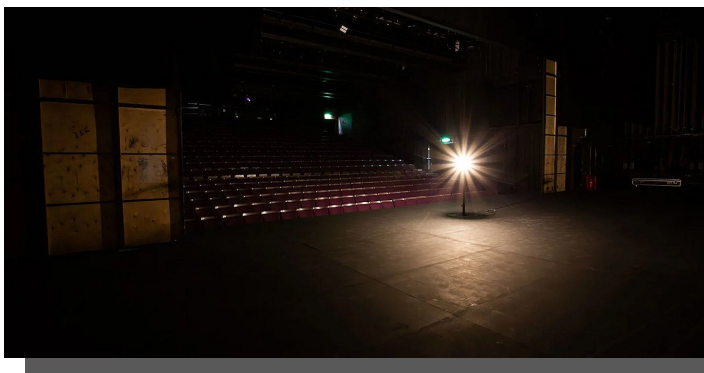
“...for I have always been mindful of your unfailing love and have lived in reliance on your faithfulness.”
Psalm 26:3 (NIV)



This year was indeed a testimony to the **faithfulness of God**. Equally, to the faithfulness and generosity of Covenant Players' supporters and the faithfulness and stamina of the Covenant Players missionaries themselves.

We were a theatre company unable to perform due to national lockdown regulations; followed by the strict restrictions required as churches, schools, prisons, day centres and homes have attempted to return to some kind of normality. Like others, we sought ways to serve within our communities—and participated in the daily round of Zoom classes, meetings and services.

Without any prospect of performances, there was no source of income other than what we could seek through possible grants and fundraising. Of course, we were just one organisation among many. More than ever we were completely reliant upon the consistent generosity and financial support of our regular supporters. **We are indebted to them for their gifts of love, faith and encouragement during such a challenging time in our history.**



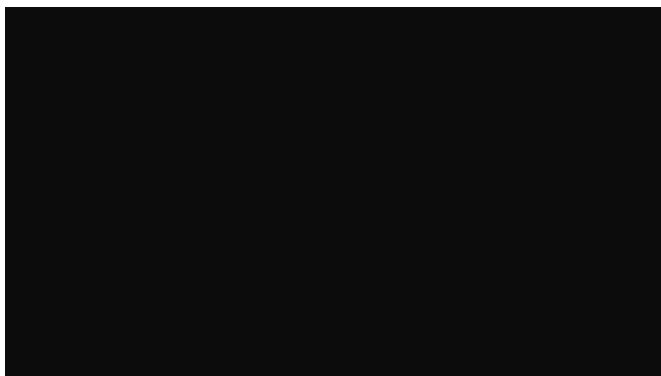
A ghost-light holds space; waiting for the return of the actors to the stage.

In the spring, we were pleased to be invited by the **Capt. Tom Moore Foundation** to participate in the **Captain Tom 100 event**, which was a specific initiative designed to give all charities the opportunity to raise money for their

...drama that touches the heart,
the mind and the soul.

individual needs and campaigns. Individuals, groups and charities were encouraged to complete a personal challenge (100 times) in memory of Captain Tom Moore. We were excited to be involved and determined that we would do a play reading—over Zoom—of **100 plays by Charles M. Tanner**.

What a blessing it was to hear wonderful plays, to see faces and to just revel in the fellowship, the stories and the celebration of the rich life in ministry that we are so blessed to share. It was an international reading as people joined from different time zones, many staying the course right to the end – **a marathon 22 hours and 30 minutes!** This was an act of love and yet I feel like the blessing was all ours.



Play reading on Zoom—after 22 hrs and 30 min.



Other individuals chose to do their own 100 challenge. We are grateful for every *100 cat strokes, pies baked, lengths swum, stairs climbed, goodies baked, cards made, dives into pools, blocks run, steps walked, songs sung and PLAYS READ!*

Thanks to everyone's participation and financial support, we raised in excess of **£4,500**.

In October, **Geoffrey Allen** was able to participate in the rescheduled **Virgin London Marathon**. Again we went to our supporters, friends and communities, requesting that they sponsor Geoffrey, and, again, they came through for us—as they always do! Geoffrey completed the marathon in **5 hours and 28 minutes!!**



Geoffrey Allen—having completed the Virgin London Marathon.

In a visual and media oriented world ...

Covenant Players

... is taking dynamic communication to:
churches,
schools,
conferences,
youth organisations,
adult education and training centres,
centres for the disabled,
drug and alcohol awareness programmes,
prisons,
young offenders' centres,
travellers' workshops,
military bases,
the business community,
homeless day centres,
hospitals,
nursing and retirement homes...
wherever people gather.

National Directors' Report

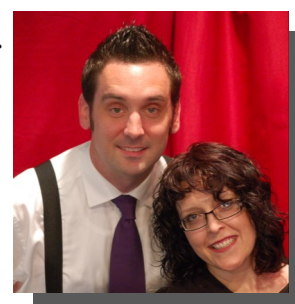
In the autumn, we finally had the opportunity to not only book but actually fulfil **our first CP performance since the beginning of lockdown in March 2020.** (We had tentatively booked other dates but they would then cancel due to COVID outbreaks.) Practising all our COVID-safe measures, we went to **Sharon Gospel Church in Pontypool**, where we were blessed to lead them in worship through drama—**18 months after our last performance.**



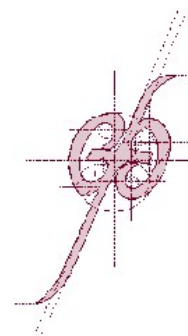
Masked up and ready to go!

The coronavirus pandemic remains a challenge as we move into 2022. Organisations remain reluctant to bring in outside groups as they seek to manage COVID waves. However, we reflect upon God's faithfulness throughout these past 2 years and we look forward with hope towards the future.

Again, we thank you for holding trust with us throughout this year, for all the ways that you have supported us through your prayers, words of encouragement and for your generous and unstinting financial support.



*Geoffrey and Deborah Allen
National Directors*



Financial Report

Financial Summary for the year ending 31 December 2021

Income	2021	2020
Donations	594.70	6,104.53
Performances	580.00	2,045.00
Sponsorships	0.00	0.00
Grants	0.00	0.00
Reclaimed Tax	2,510.73	1,593.55
Fundraising appeals and events	21,716.23	15,430.83
Advertising sales	0.00	0.00
Income from assets	0.00	0.06
Books and CDs	<u>0.00</u>	<u>0.00</u>
TOTAL INCOME	25,401.66	25,173.97
Expenditure		
Personnel costs (6 workers)	0.00	0.00
Presentation costs		
Food and Lodging	242.26	296.83
Travel	6,063.97	2,879.91
Vehicles	1,506.10	2,960.42
Support costs	4,860.65	3,583.83
Covenant Players International	5,012.51	2,348.93
Donations	7,632.57	8,723.13
Fundraising and publicity	269.30	90.00
Administration and management	2,651.29	2,546.97
Purchase of vehicles and equipment	<u>0.00</u>	<u>0.00</u>
TOTAL EXPENDITURE	28,238.65	23,430.02
Net income (deficit)	(-2,836.99)	1,743.95
Bank balances end of year	6,534.08	9,371.07

Founder & Playwright

Charles M. Tanner

International Director

Bobbi M. Johnson-Tanner

Trustees

Deborah Allen
Bobbi M. Johnson-Tanner
Eileen Lock
Timothy Martin

Officers

Deborah and Geoffrey Allen
- National Directors

Bankers

Barclays Bank PLC
Leicester
LE87 2BB
Tel. (0345) 734 5345

Independent Examiner

Mr Ken Bailey
Pembroke House
Lower Park Terrace
Pontypool, NP4 6LB
Tel. (01495) 753 767



Covenant Players (UK) Trust

Registered Charity No. 1059359 (in England and Wales)

British & Irish Office and European Headquarters
32 Pine Gardens
PONTYPOOL, Wales
NP4 6BS
Tel.(01495) 651 248
Mob. (07949) 645 838
Email: cp.bio@covenantplayers.org

www.covenantplayers.org

COVENANT PLAYERS (UK) TRUST Registered Charity No. 1059359
Accounts for the Year to 31 December 2021
Receipts and Payments Accounts

Founder

Charles M. Tanner

International Director

Bobbi M. Johnson-Tanner

Trustees

Deborah Allen
Bobbi M. Johnson-Tanner
Eileen Lock
Timothy Martin

Officers

Deborah & Geoffrey Allen -
National Directors

Bankers

Barclays Bank PLC
Leicester
LE87 2BB
Tel. (0345) 734 5345

Independent Examiner

Mr Ken Bailey
Pembroke House
Lower Park Terrace
Pontypool, NP4 6LB
Tel. (01495) 753 767



2021 ACCOUNTS

General Fund	2 - 3
Designated Funds	4 - 5
Restricted Funds	6 - 9
Statement of Assets and Liabilities	10
Financial Summary for the year	11
Independent Examiner's Report	12

Covenant Players (UK) Trust

Registered Charity No. 1059359 (in England and Wales)

British & Irish Office and European Headquarters
32 Pine Gardens, Tranch
PONTYPOOL, Wales
NP4 6BS
Tel. (01495) 651 248
Mob. (07949) 645 838
Email: cp.bio@covenantplayers.org

www.covenantplayers.org

Accounts for the Year to 31 December 2021**Receipts and Payments Accounts****GENERAL FUND****Income Receipts**

	2021	2020
Grants from other CP Offices and Donations:		
Covenant Players Foreign Offices	0.00	6,055.92
General Donations	594.70	48.61
Performances, Grants and Sponsorships	580.00	2,045.00
Fundraising Appeals and Events	11,150.33	7,383.91
Trading Activities <small>Note 1</small>	0.00	0.00
Income from Assets	0.00	0.06
Reclaimed Tax	<u>2,510.73</u>	<u>1,518.55</u>
Total Income	14,835.76	17,052.05
Transfers from other funds:		
From Overseas Mission Fund*	467.92	594.85
From Resources Fund	5,000.00	0.00
From Travel Fund*	841.33	0.00
From St. Stephen's Fund*	4,390.63	0.00
From BIOMed Fund	5,993.84	0.00
From World Mission Fund	<u>3,000.00</u>	<u>0.00</u>
Total Transfers	19,693.72	594.85
Total Income plus Transfers	34,529.48	17,646.90

Payments for Expenses

Direct Charitable Expenditure:

Personnel Costs (6 workers)	0.00	0.00
Presentation Costs:		
Food & Lodging	242.26	296.83
Travel	1,668.27	2,426.11
Vehicle Costs	1,506.10	2,960.42
Sound Equipment Costs	0.00	0.00
Support Costs:		
Supplies, Postage, Phone	2,568.85	1,483.83
Rent, Utilities, Maintenance	2,200.00	2,100.00
Grants to Covenant Players International:		
Training	0.00	333.15
Ministry	<u>5,012.51</u>	<u>1,970.32</u>
Total Direct Charitable Expenditure	13,197.99	11,570.66

*Monies moved from Restricted Funds to reimburse immigration and travel expenses paid with credit card.

Accounts for the Year to 31 December 2021**Receipts and Payments Accounts**

	2021	2020
Other Expenditure:		
Stolen Cash	0.00	0.00
Fundraising and Publicity	269.30	90.00
Administration and Management <small>Note 1a</small>	2,651.29	2,546.97
Designated Tithe <small>Note 1b</small>	<u>0.00</u>	<u>0.00</u>
Total Other Expenditure	2,920.59	2,636.97
Payments for Fixed Assets:		
Office Equipment	<u>0.00</u>	<u>0.00</u>
Total Payments for Expenses	16,118.58	14,207.63
Transfers to other funds:		
Air Travel Fund	5,231.96	536.00
BIOMed Fund	0.00	0.00
World Mission Fund	0.00	0.00
Deacons Fund	0.00	0.00
Overseas Mission Fund (January 2020)	0.00	437.00
Vehicle Purchase and Repair Fund	0.00	0.00
Resources Fund	0.00	0.00
St. Stephen's Fund	<u>489.70</u>	<u>683.00</u>
Total Transfers	5,721.66	1,656.00
Total Payments plus Transfers	21,840.24	15,863.63
Net Income	12,689.24	1,783.27
Opening Balance	-12,790.18	-14,573.45
Closing Balance	-100.94	-12,790.18

Note 1 Resource Sales are itemised separately on page 5.

Note 1a There were no trustee expenses.

Note 1b The Designated Tithe is a 10% portion of a chosen income amount sent as a donation to another ministry or for a specific need within Covenant Players ministry, outside of the United Kingdom.

Accounts for the Year to 31 December 2021**Receipts and Payments Accounts****AIR TRAVEL FUND** (Designated) Note 2

Income Receipts	2021	2020
Transfers from General Fund	5,231.96	536.00
Grants from Covenant Players – International	0.00	0.00
Transfer from Overseas Mission Fund (January 2020)	<u>0.00</u>	<u>0.00</u>
Total Income Receipts	5,231.96	536.00

Payments

Direct Charitable Expenditure:		
Travel	5.07	-82.20
Support Costs:		
Visas/Fees	4,390.63	536.00
Grants to CP – Europe	0.00	0.00
Transfers to World Mission Fund	0.00	0.00
Transfers to General Fund	<u>0.00</u>	<u>0.00</u>
Total Payments	4,395.70	453.80
Net Income	836.26	82.20
Opening Balance	455.71	373.51
Closing Balance	1,291.97	455.71

BIO-MEDICAL FUND (Designated) Note 3

Income Receipts		
Transfers from General Fund	0.00	0.00
Grants from Covenant Players - International	<u>0.00</u>	<u>0.00</u>
Total Income Receipts	0.00	0.00

Payments

Direct Charitable Expenditure:		
Emergency Needs	0.00	0.00
Grant to Covenant Players Europe Medical	0.00	0.00
Support Costs:		
Health Insurance	0.00	0.00
Transfers to General Fund	<u>5,993.84</u>	<u>0.00</u>
Total Payments	5,993.84	0.00
Net Income	-5,993.84	0.00
Opening Balance	6,493.84	6,493.84
Closing Balance	500.00	6,493.84

Note 2 This fund is set aside primarily to fly missionaries to their assignments around the world and for the accompanying immigration costs. It is designated from performance income – 5% of the unit weekly payment to the office.

Note 3 The Euro Medical Fund was changed to the BIO Medical Fund during 2007. The BIO Medical Fund is set aside primarily for medical emergencies for personnel. This is also designated from unit income.

Accounts for the Year to 31 December 2021**Receipts and Payments Accounts****WORLD MISSION FUND** (Designated) Note 4

Income Receipts	2021	2020
Transfers from ATF Fund	0.00	0.00
Transfers from General Fund	<u>0.00</u>	<u>0.00</u>
Total Income Receipts	0.00	0.00
Payments		
Direct Charitable Expenditure:		
Grants to Covenant Players International	0.00	0.00
Transfers to General Fund	<u>3,000.00</u>	<u>0.00</u>
Total Payments	3,000.00	0.00
Net Income	-3,000.00	0.00
Opening Balance	4,911.23	4,911.23
Closing Balance	1,911.23	4,911.23

RESOURCES FUND (Designated) Note 5

Income Receipts		
From Trading Activities:		
Playbooks	0.00	0.00
Devotion Books	0.00	0.00
New Sound CDs	0.00	0.00
Sunday Celebration Cassettes	0.00	0.00
Royalty Payments	0.00	0.00
Surplus Donations	0.00	0.00
BIO Resources (from 2008)	0.00	0.00
Transfer from General Fund	<u>0.00</u>	<u>0.00</u>
Total Income Receipts	0.00	0.00
Payments		
Direct Charitable Expenditure:		
Grants to Covenant Players Int. (Resources)	0.00	0.00
Royalty Payment	0.00	0.00
Transfers to General Fund	<u>5,000.00</u>	<u>0.00</u>
Total Payments	5,000.00	0.00
Net Income	-5,000.00	0.00
Opening Balance	5,684.22	5,684.22
Closing Balance	684.22	5,684.22

Note 4 The World Mission Fund supports the ongoing ministry of Covenant Players across the world. Monies are sent to the World Headquarters in Los Angeles or designated for use following discussion with the International Director. It is a designated fund – 30% of the unit weekly payment to the office. Play and performance royalties are also sent to World Headquarters.

Note 5 Resources prior to 2008 were sold on the basis of a suggested donation. They were fabricated in the USA and shipped to Covenant Players Europe. Funds have previously been returned to Covenant Players USA Resources, unless otherwise directed by the Trustees and Covenant Players' International Director. As of 2008, resources are purchased from Covenant Players USA and sold in the UK. Proceeds are retained by Covenant Players (UK) Trust. Purchase costs are listed as a liability as per instructions from the Independent Examiner.

Accounts for the Year to 31 December 2021**Receipts and Payments Accounts****DEACONS FUND** (Restricted) Note 6

Income Receipts	2021	2020
Donations from Covenant Players Europe	0.00	29.60
Transfers from General Fund	<u>0.00</u>	<u>0.00</u>
Total Income Receipts	0.00	29.60

Payments

Direct Charitable Expenditure:		
Grants to Individuals	0.00	111.60
Grants to Covenant Players International	0.00	0.00
Transfers to General Fund	<u>0.00</u>	<u>0.00</u>
Total Payments	0.00	111.60
Net Income	0.00	- 82.00
Opening Balance	2,054.19	2,136.19
Closing Balance	2,054.19	2,054.19

OVERSEAS MISSION FUND (Restricted) Note 7

Income Receipts		
Transfers from General Fund (for January 2020)	0.00	437.00
Transfer from Travel (R)	0.00	0.00
Donations	<u>0.00</u>	<u>586.92</u>
Total Income Receipts	0.00	1,023.92

Payments

Transfer to General Fund as part of a grant to Germany	467.92	45.46
Transfer to Travel (R) Fund (January 2020) Note 7a	841.33	0.00
Transfer to Vehicle (R) Fund Note 7a	1037.13	
Transfer to General Fund for ATF (January 2020)	<u>0.00</u>	<u>594.85</u>
Total Payments	2,346.38	640.31
Net Income	-2,346.38	383.61
Opening Balance	2,346.38	1,962.77
Closing Balance	0.00	2,346.38

Note 6 The Deacons Fund is administered by an appointed body of Deacons from Covenant Players Europe. Monies are disbursed as directed by the Deacons.

Note 7 The Overseas Mission Fund is for monies given to support Covenant Players' mission needs overseas.

Note 7a These monies were the remaining monies from those raised for January 2020. They were actually designated funds but were kept in a separate fund held within the Overseas Mission Fund. Their remainder was transferred to the Vehicle Fund (R) and the Travel Fund (R).

COVENANT PLAYERS (UK) TRUST Registered Charity No. 1059359
Accounts for the Year to 31 December 2021
Receipts and Payments Accounts

ST. LUKE'S FUND (Restricted) Note 8

Income Receipts	2021	2020
Donations	<u>0.00</u>	<u>76.80</u>
Total Income Receipts	0.00	76.80
Payments		
Health Needs	<u>91.80</u>	<u>0.00</u>
Total Payments	91.80	0.00
Net Income	-91.80	76.80
Opening Balance	91.80	15.00
Closing Balance	0.00	91.80

ST. STEPHEN'S FUND (Restricted) Note 9

Income Receipts		
Donations	10,565.90	7,153.60
Tax Reclaimed	0.00	75.00
Transfers from General Fund	<u>489.70</u>	<u>683.00</u>
Total Income Receipts	11,055.60	7,911.60
Payments		
Direct Charitable Expenditure:		
Grants to Individuals	7,632.57	8,111.53
Grants to Units	0.00	500.00
Grants to Covenant Players International	0.00	0.00
Transfers to General Fund – Immigration Costs	<u>4,390.63</u>	<u>0.00</u>
Total Payments	12,023.20	8,611.53
Net Income	-967.60	- 699.93
Opening Balance	1,297.96	1,997.89
Closing Balance	330.36	1,297.96

Note 8 The St. Luke's Fund is for the benefit of Covenant Player missionaries' health needs.

Note 9 The St. Stephen's Fund, formerly the Missioner Support Fund, is for the benefit of Covenant Player missionaries, mostly individual needs, but occasionally for group needs as desired by the donor.

COVENANT PLAYERS (UK) TRUST Registered Charity No. 1059359
Accounts for the Year to 31 December 2021
Receipts and Payments Accounts

SOUND EQUIPMENT FUND (Restricted) Note 10

Income Receipts	2021	2020
Donations	0.00	0.00
Transfers from General Fund	<u>0.00</u>	<u>0.00</u>
Total Income Receipts	0.00	0.00
Payments		
Repair and Maintenance	<u>0.00</u>	<u>0.00</u>
Total Payments	0.00	0.00
Net Income	0.00	0.00
Opening Balance	1.00	1.00
Closing Balance	1.00	1.00

TRAVEL FUND (Restricted) Note 11

Income Receipts		
Donations	0.00	0.00
Transfer from Overseas Mission Fund (January 2020)	841.33	0.00
Tax Reclaimed	<u>0.00</u>	<u>0.00</u>
Total Income Receipts	841.33	0.00
Payments		
Direct Charitable Expenditure:		
Grants to Covenant Players International (Travel)	0.00	0.00
Travel	0.00	0.00
Transfer to General Fund (ATF)	841.33	0.00
Transfer to OMF (for January 2020)	<u>0.00</u>	<u>0.00</u>
Total Payments	841.33	0.00
Net Income	0.00	0.00
Opening Balance	0.00	0.00
Closing Balance	0.00	0.00

Note 10 The Sound Equipment Fund is for the repair and purchase of sound equipment for the use of the ministry, particularly the "Catalysts" music ministry.

Note 11 The Travel Fund is for monies raised to get CP missionaries to their mission areas, or for other special travel needs where the expense originates with Covenant Players (UK) Trust.

COVENANT PLAYERS (UK) TRUST Registered Charity No. 1059359
Accounts for the Year to 31 December 2021
Receipts and Payments Accounts

VEHICLE PURCHASE AND REPAIR FUND (Restricted) Note 12

Income Receipts	2021	2020
Donations	0.00	200.00
Transfers from Overseas Mission Fund (see Note 7a)	1,037.13	0.00
Tax Reclaimed	<u>0.00</u>	<u>0.00</u>
Total Income Receipts	1,037.13	200.00
Payments		
Direct Charitable Expenditure:		
Vehicle Repairs	0.00	0.00
Purchase of Vehicle	0.00	0.00
Grant to Covenant Players Europe (Vehicle)	0.00	0.00
Transfers to General Fund – VITAL*	<u>0.00</u>	<u>0.00</u>
Total Payments	0.00	0.00
Net Income	1,037.13	200.00
Opening Balance	-1,175.08	-1,375.08
Closing Balance	-137.95	-1,175.08

EQUIPMENT FUND (Restricted) Note 13

Income Receipts		
Equipment Donations	0.00	0.00
Transfers from General Fund	<u>0.00</u>	<u>0.00</u>
Total Income Receipts	0.00	0.00
Payments		
Equipment Purchases	0.00	0.00
Transfers to General Fund	<u>0.00</u>	<u>0.00</u>
Total Payments	0.00	0.00
Net Income	0.00	0.00
Opening Balance	0.00	0.00
Closing Balance	0.00	0.00

Note 12 The Vehicle Purchase and Repair Fund has two functions. On the road, it is mainly used for repairs to unit vehicles. From the office, it is used for purchasing and maintaining vehicles.

*VITAL = Vehicle Insurance, Tax and Licensing Fund

Note 13 The Equipment Fund was established in 2003 for donated funds for the purchase of ministry-related equipment, especially computer/IT equipment.

COVENANT PLAYERS (UK) TRUST Registered Charity No. 1059359
Accounts for the Year to 31 December 2021
Receipts and Payments Accounts

FINANCIAL REPORT

Financial Summary for the year ended 31 December 2021

Statement of Assets and Liabilities

Monetary Assets:

Bank Deposits	£6,507.93
Petty Cash	<u>£26.15</u>
Total Monetary Assets:	£6,534.08

Liabilities

10 payments owing on photocopier (ends June 2024)	£2,292.00
(copier and contract as of July 2019 @ £191.00 + 20% VAT per quarter = £229.20)	

Non-monetary Assets for use in direct charitable activity:

Vehicle Fleet

Ford Torneo Connect (March 2016) CK16 LLV purchased in full from October 2016 to March 2017 with (R) donations received for that purpose. Total paid: **£18,007.77**

Covenant Players has the use of **1** other vehicle:

Ford Fiesta Diesel (2012) DK12 VGC (Allen)

SCRAPPED:

Ford Focus Petrol (2000) W452 VVW – purchased for **£250.00** in November 2017 (Allen)

Sound Equipment

4 microphones (purchased 1997 for approximately £168.00)

2 speakers (purchased 2002 for £166.00)

Mixer/amplifier 9 channel (donated 2000 from Covenant Players Europe)

Resources (from 2008)

17 Playbooks = cost £18.88

63 Music CDs = cost £293.68

Equipment for use in support activities of the charity:

3 telephones and answering machine (purchased in 2012 for £74.99)

1 shredder (purchased in 2006 for £19.99)

Telephones, desks, filing cabinets, office chairs (purchased 1990-2012 value £0.00)

2 Fax Machines (Value £0.00)

Second-hand household furniture (donated and purchased through the years value £0.00)

Report prepared by:

Deborah Allen

27 October 2022

Deborah Allen, National Director

(Date)

Geoffrey Allen

27 October 2022

Geoffrey Allen, National Director

(Date)

Approved by the Trustees and signed on their behalf by:

Eileen Lock

27 October 2022

Trustee

(Date)

COVENANT PLAYERS (UK) TRUST Registered Charity No. 1059359
Accounts for the Year to 31 December 2021
Receipts and Payments Accounts

Financial Summary for the year ending 31 December 2021

Income	2021	2020
Donations	594.70	6,104.53
Performances	580.00	2,045.00
Sponsorships	0.00	0.00
Grants	0.00	0.00
Reclaimed Tax	2,510.73	1,593.55
Fundraising appeals and events	21,716.23	15,430.83
Advertising sales	0.00	0.00
Income from assets	0.00	0.06
Books and CDs	<u>0.00</u>	<u>0.00</u>
TOTAL INCOME	25,401.66	25,173.97
Expenditure		
Personnel costs (6 workers)	0.00	0.00
Presentation costs		
Food and Lodging	242.26	296.83
Travel	6,063.97	2,879.91
Vehicles	1,506.10	2,960.42
Support costs	4,860.65	3,583.83
Covenant Players International	5,012.51	2,348.93
Donations	7,632.57	8,723.13
Fundraising and publicity	269.30	90.00
Administration and management	2,651.29	2,546.97
Purchase of vehicles and equipment	<u>0.00</u>	<u>0.00</u>
TOTAL EXPENDITURE	28,238.65	23,430.02
Net income (deficit)	(-2,836.99)	1,743.95
Bank balances end of year	6,534.08	9,371.07

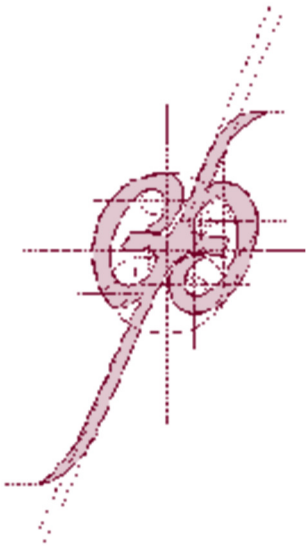
COVENANT PLAYERS UK TRUST

England & Wales - Charity number 1059359

Accounts

COVENANT PLAYERS (UK) TRUST

Annual Report 2020



“And hope does not put us to shame, because God’s love has been poured out into our hearts through the Holy Spirit, who has been given to us.”
Romans 5:5 (NIV)



Registered Charity No. 1059359

Since 1963...

Covenant Players

*...drama that touches the heart,
the mind and the soul.*



BACKSTAGE UPSTAGE
© Charles M. Tanner

Covenant Players is a professional theatre company, fielding touring troupes throughout the world which perform original theme-based plays in service to the leadership of churches, schools, social service agencies, community and government organisations.

Covenant Players ...

- ◆ seeks to challenge people to a deeper walk in faith and action
- ◆ is a full-time touring ministry
- ◆ has served in 78 countries
- ◆ has performed in 29 languages
- ◆ has given over 2,000,000 performances world-wide.

Governing Document: **Deed of Trust dated 30th October 1996**

Covenant Players is registered with the Charity Commission of England and Wales as a charity set up for the advancement of the Christian Religion and the advancement of Education.

The objects of the Trust are:

- to advance the Christian faith, particularly through the production and performance of drama and other media to promote Christian teachings, principles, values and mores in the United Kingdom and elsewhere as the Trustees may from time to time think fit.
- to advance education of the public, particularly in the area of religious beliefs and mores in the United Kingdom and elsewhere as the Trustees may from time to time think fit.





MISSION STATEMENT

Covenant Players exists to communicate the Lord Jesus Christ through the medium of drama.

To that end we commit ourselves to:

- ◆ Go where the people are.
- ◆ Serve the leadership of the church and the community.
- ◆ Live a life worthy of our call.
- ◆ Love each other and those we serve.

In Covenant with God and one another, we dedicate ourselves to this task.

National Directors' Report

We find ourselves in unprecedented times, do we not?

At the beginning of 2020 we travelled to **Los Angeles, California**, where we participated in **January 2020** - our worldwide gathering of Covenant Players.



Through God's miraculous provision and protection, and the generosity of many supporters, we were all able to travel and assemble together in Los Angeles for a deeply anointed time of training, as well as a 4-day corporate retreat. *Together we participated in fellowship, a worldwide banquet celebration, worship, performances of Chuck's plays and inspiring classes in theatre, leadership, discipleship and mission. Each week we were also able to serve local churches and community groups, giving our missionaries the opportunity to minister alongside brothers and sisters who would normally be serving on other continents.*

One of our most impacting workshops was based upon the Persecuted Church, using materials produced by Voice of the Martyrs (VOM). It was eye-opening, revelatory and helped to align our hearts, both individually and as a ministry, with these suffering brothers and sisters. Other themes included **"Waiting dynamically on the Lord"**, as well as seeking what God was requiring of each one of us in the coming season. ***We did not realise then, the full significance of how God was preparing us.***

It was truly His gift and His grace that we had this shared experience of God—and of one another—before returning to our areas, straight into the developing worldwide **Coronavirus Crisis**.



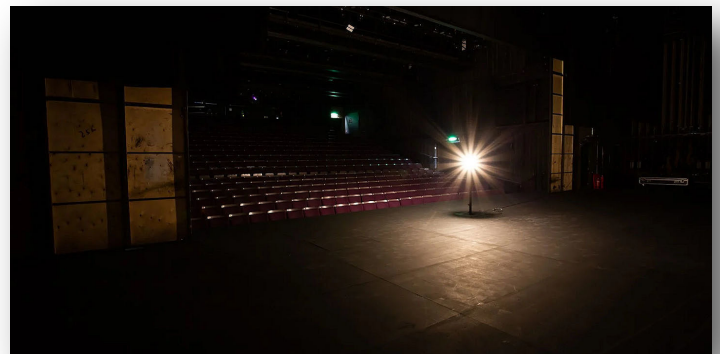
In February, Geoffrey and I went to Germany to attend to business at the office in **Stahlhofen a. Wiesensee**. We had but a few short weeks of mission and then, in view of the exploding COVID-19 pandemic, international director, Bobbi Johnson-Tanner, made the decision to put all our worldwide touring areas on temporary hold, and have all our units shelter-in-place, compliant with local government directives.

...drama that touches the heart, the mind and the soul.

We are a touring theatre ministry. This involves not only travelling but large gatherings of people; *churches, schools, prisons, care homes*. Like so many other groups and individuals, with the arrival of “lockdown measures”, the “theatre lights went out”, all these venues closed and all streams of income dried up.

By God’s grace, every unit was provided with a place to stay over many weeks. These included an apartment in Japan, a vicarage in South Africa, private homes, a Salvation Army camp and a church house. By God’s grace, every unit was fed and provided for through the gifts and generosity of God’s people.

And, by His grace, we adapted and adjusted to new rhythms of discipleship, experiencing a different kind of mission, staying in regular contact with hosts and our performance contacts, still working on our craft and, thanks to Zoom, joining together 3 times a week for a worldwide time of devotion. We found ways to creatively perform for one another and developed safety-protocols to allow us to safely return to serving churches and organisations at the earliest opportunity.

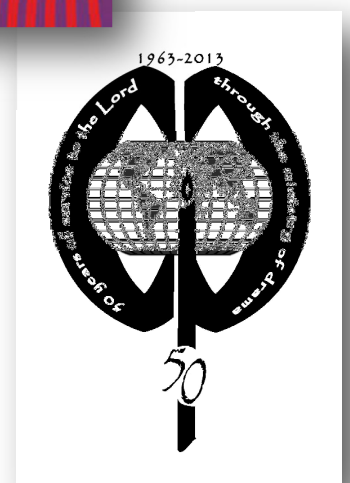


A ghost-light holds space; waiting for the return of the actors to the stage.

In October, a number of Covenant Players participated in sponsored events and personal challenges in order to raise funds to sustain the ministry through this time of enforced “drought”. In Europe, **Jo French-Howser** completed in the rescheduled virtual **Virgin London Marathon—The 40th Race**. Others completed walks, runs, cycles and swims on behalf of the ministry.



Jo French-Howser



In a visual and media oriented world ...

Covenant Players

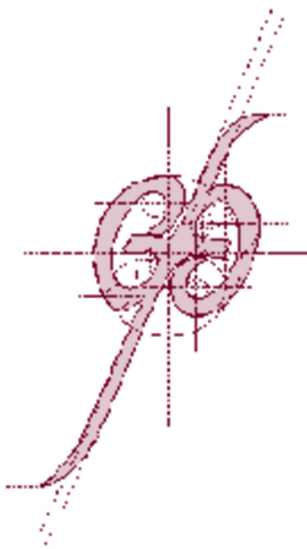
... is taking dynamic communication to: churches, schools, conferences, youth organisations, adult education and training centres, centres for the disabled, drug and alcohol awareness programmes, prisons, young offenders' centres, travellers' workshops, military bases, the business community, homeless day centres, hospitals, nursing and retirement homes... wherever people gather.

Thanksgiving

We want to thank YOU, our beloved & faith-filled supporters, for your prayers, your words of encouragement and your regular financial gifts. These have truly served as a **lifeline** as our only source of income during much of this time. You have supported us over many years and through many different seasons. We are truly grateful for your consistent love, care and partnership and for the trust that you place in us, as missionaries of Jesus Christ.

May we know His grace, His love and His peace as we share together in the partnership of being His labourers in the field, and making a difference across our land.

Geoffrey and Deborah Allen
National Directors



Financial Report

Financial Summary for the year ending 31 December 2020

Income	2020	2019
Donations	6,104.53	13,992.11
Performances	2,045.00	8,811.64
Sponsorships	0.00	0.00
Grants	0.00	0.00
Reclaimed Tax	1,593.55	1,013.13
Fundraising appeals and events	15,430.83	14,557.59
Advertising sales	0.00	0.00
Income from assets	.06	.12
Books and CDs	<u>0.00</u>	<u>0.00</u>
TOTAL INCOME	25,173.97	38,374.59
Expenditure		
Personnel costs (6 workers)	0.00	3,256.00
Presentation costs		
Food and Lodging	296.83	519.46
Travel	2,879.91	9,899.74
Vehicles	2,960.42	6,284.98
Support costs	3,583.83	3,598.63
Covenant Players International	2,348.93	6,101.18
Donations	8,723.13	4,230.01
Fundraising and publicity	90.00	550.32
Administration and management	2,546.97	3,029.72
Purchase of vehicles and equipment	<u>0.00</u>	<u>0.00</u>
TOTAL EXPENDITURE	23,430.02	37,470.04
Net income (deficit)	1,743.95	904.55
Bank balances end of year	9,371.07	7,627.12

Founder & Playwright

Charles M. Tanner

International Director

Bobbi M. Johnson-Tanner

Trustees

Deborah Allen
Bobbi M. Johnson-Tanner
Eileen Lock
Timothy Martin

Officers

Deborah and Geoffrey Allen
- National Directors

Bankers

Barclays Bank PLC
East Northants Group
8 Market Place
Kettering, Northants NN16
0AX
Tel. Tel. (03456) 052 345

Independent Examiner

Mr Ken Bailey
Pembroke House
Lower Park Terrace
Pontypool, NP4 6LB
Tel. (01495) 753 767



Covenant Players (UK) Trust

Registered Charity No. 1059359 (in England and Wales)

British & Irish Office and European Headquarters
32 Pine Gardens
PONTYPOOL, Wales
NP4 6BS
Tel.(01495) 651 248
Mob. (07904) 868 822
Email: cp.bio@covenantplayers.org

www.covenantplayers.org

COVENANT PLAYERS (UK) TRUST Registered Charity No. 1059359
Accounts for the Year to 31 December 2020
Receipts and Payments Accounts

Founder

Charles M. Tanner

International Director

Bobbi M. Johnson-Tanner

Trustees

Deborah Allen
Bobbi M. Johnson-Tanner
Eileen Lock
Timothy Martin

Officers

Deborah & Geoffrey Allen -
National Directors

Bankers

Barclays Bank PLC
East Northants Group
8 Market Place
Kettering, Northants
NN16 0AX
Tel. (03456) 052 345

Independent Examiner

Mr Ken Bailey
Pembroke House
Lower Park Terrace
Pontypool, NP4 6LB
Tel. (01495) 753 767



2020 ACCOUNTS

General Fund	2 - 3
Designated Funds	4 - 5
Restricted Funds	6 - 9
Statement of Assets and Liabilities	10
Financial Summary for the year	11
Independent Examiner's Report	12

Covenant Players (UK) Trust

Registered Charity No. 1059359 (in England and Wales)

British & Irish Office and European Headquarters
32 Pine Gardens, Tranch
PONTYPOOL, Wales
NP4 6BS
Tel. (01495) 651 248
Mob. (07904) 868 822
Email: cp.bio@covenantplayers.org

www.covenantplayers.org

COVENANT PLAYERS (UK) TRUST Registered Charity No. 1059359
Accounts for the Year to 31 December 2020
Receipts and Payments Accounts

GENERAL FUND

Income Receipts

	2020	2019
Grants from other CP Offices and Donations:		
Covenant Players Foreign Offices	6,055.92	11,460.83
General Donations	48.61	2,531.28
Performances, Grants and Sponsorships	2,045.00	8,811.64
Fundraising Appeals and Events	7,383.91	9,654.26
Trading Activities <small>Note 1</small>	0.00	0.00
Income from Assets	0.06	0.12
Reclaimed Tax	<u>1,518.55</u>	<u>938.13</u>
Total Income	17,052.05	33,396.26
Transfers from other funds:		
From Air Travel Fund	0.00	0.00
From Overseas Mission Fund	594.85	0.00
From Resources Fund	0.00	0.00
From St. Stephen's Fund	0.00	0.00
From BIOMed Fund	0.00	0.00
From Veh. Purchase and Repair to VITAL*	<u>0.00</u>	<u>0.00</u>
Total Transfers	594.85	0.00
Total Income plus Transfers	17,646.90	33,396.26

Payments for Expenses

Direct Charitable Expenditure:		
Personnel Costs (6 workers)	0.00	3,256.00
Presentation Costs:		
Food & Lodging	296.83	519.46
Travel	2,426.11	4,432.50
Vehicle Costs	2,960.42	4,411.30
Sound Equipment Costs	0.00	0.00
Support Costs:		
Supplies, Postage, Phone	1,483.83	1,283.63
Rent, Utilities, Maintenance	2,100.00	2,100.00
Grants to Covenant Players International:		
Training	333.15	6,101.18
Ministry	<u>1,970.32</u>	<u>0.00</u>
Total Direct Charitable Expenditure	11,570.66	22,104.07

*VITAL = Vehicle Insurance, Tax and Licensing Fund

Accounts for the Year to 31 December 2020**Receipts and Payments Accounts**

	2020	2019
Other Expenditure:		
Stolen Cash	0.00	120.00*
Fundraising and Publicity	90.00	550.32
Administration and Management <small>Note 1a</small>	2,546.97	3,029.72
Designated Tithe <small>Note 1b</small>	<u>0.00</u>	<u>0.00</u>
Total Other Expenditure	2,636.97	3,700.04
Payments for Fixed Assets:		
Office Equipment	<u>0.00</u>	<u>0.00</u>
Total Payments for Expenses	14,207.63	25,804.11
Transfers to other funds:		
Air Travel Fund	536.00	0.00
BIOMed Fund	0.00	399.60
World Mission Fund	0.00	0.00
Deacons Fund	0.00	456.15
Overseas Mission Fund (January 2020)	437.00	6,140.37
Vehicle Purchase and Repair Fund	0.00	201.54
Resources Fund	0.00	0.00
St. Stephen's Fund	<u>683.00</u>	<u>0.00</u>
Total Transfers	1,656.00	7,197.66
Total Payments plus Transfers	15,863.63	33,001.77
Net Income	1,783.27	394.49
Opening Balance	-14,573.45	-14,967.94
Closing Balance	-12,790.18	-14,573.45

Note 1 Resource Sales are itemised separately on page 5.

Note 1a There were no trustee expenses.

Note 1b The Designated Tithe is a 10% portion of a chosen income amount sent as a donation to another ministry or for a specific need within Covenant Players ministry, outside of the United Kingdom.

***£120** - cheque erroneously deposited in CP account at EOY 2018. Reimbursed in 2019.

COVENANT PLAYERS (UK) TRUST Registered Charity No. 1059359
Accounts for the Year to 31 December 2020
Receipts and Payments Accounts

AIR TRAVEL FUND (Designated) Note 2

Income Receipts	2020	2019
Transfers from General Fund	536.00	0.00
Grants from Covenant Players – International	0.00	0.00
Transfer from Overseas Mission Fund (January 2020)	<u>0.00</u>	<u>1,117.16</u>
Total Income Receipts	536.00	1,117.16
 Payments		
Direct Charitable Expenditure:		
Travel	-82.20	2,284.46
Support Costs:		
Visas/Fees	536.00	0.00
Grants to CP – Europe	0.00	0.00
Transfers to World Mission Fund	0.00	0.00
Transfers to General Fund	<u>0.00</u>	<u>0.00</u>
Total Payments	453.80	2,284.46
Net Income	82.20	-1,167.30
Opening Balance	373.51	1,540.81
Closing Balance	455.71	373.51

BIO-MEDICAL FUND (Designated) Note 3

Income Receipts		
Transfers from General Fund	0.00	399.60
Grants from Covenant Players - International	<u>0.00</u>	<u>0.00</u>
Total Income Receipts	0.00	399.60
 Payments		
Direct Charitable Expenditure:		
Emergency Needs	0.00	95.00
Grant to Covenant Players Europe Medical	0.00	0.00
Support Costs:		
Health Insurance	0.00	0.00
Transfers to General Fund	0.00	0.00
	<u>0.00</u>	<u>0.00</u>
Total Payments	0.00	95.00
Net Income	0.00	304.60
Opening Balance	6,493.84	6,189.24
Closing Balance	6,493.84	6,493.84

Note 2 This fund is set aside primarily to fly missionaries to their assignments around the world and for the accompanying immigration costs. It is designated from performance income – 5% of the unit weekly payment to the office.

Note 3 The Euro Medical Fund was changed to the BIO Medical Fund during 2007. The BIO Medical Fund is set aside primarily for medical emergencies for personnel. This is also designated from unit income.

COVENANT PLAYERS (UK) TRUST Registered Charity No. 1059359
Accounts for the Year to 31 December 2020
Receipts and Payments Accounts

WORLD MISSION FUND (Designated) Note 4

Income Receipts	2020	2019
Transfers from ATF Fund	0.00	0.00
Transfers from General Fund	<u>0.00</u>	<u>0.00</u>
Total Income Receipts	0.00	0.00

Payments

Direct Charitable Expenditure:		
Grants to Covenant Players International	0.00	0.00
Transfers to General Fund	<u>0.00</u>	<u>0.00</u>
Total Payments	0.00	0.00

Net Income	0.00	0.00
Opening Balance	4,911.23	4,911.23
Closing Balance	4,911.23	4,911.23

RESOURCES FUND (Designated) Note 5

Income Receipts

From Trading Activities:		
Playbooks	0.00	0.00
Devotion Books	0.00	0.00
New Sound CDs	0.00	0.00
Sunday Celebration Cassettes	0.00	0.00
Royalty Payments	0.00	0.00
Surplus Donations	0.00	0.00
BIO Resources (from 2008)	0.00	0.00
Transfer from General Fund	<u>0.00</u>	<u>0.00</u>
Total Income Receipts	0.00	0.00

Payments

Direct Charitable Expenditure:		
Grants to Covenant Players Int. (Resources)	0.00	0.00
Royalty Payment	0.00	0.00
Transfers to General Fund	<u>0.00</u>	<u>0.00</u>
Total Payments	0.00	0.00

Net Income	0.00	0.00
Opening Balance	5,684.22	5,684.22
Closing Balance	5,684.22	5,684.22

Note 4 The World Mission Fund supports the ongoing ministry of Covenant Players across the world. Monies are sent to the World Headquarters in Los Angeles or designated for use following discussion with the International Director, also included are performance and play royalties. It is a designated fund – 30% of the unit weekly payment to the office.

Note 5 Resources prior to 2008 were sold on the basis of a suggested donation. They were fabricated in the USA and shipped to Covenant Players Europe. Funds have previously been returned to Covenant Players USA Resources, unless otherwise directed by the Trustees and Covenant Players' International Director. As of 2008, resources are purchased from Covenant Players USA and sold in the UK. Proceeds are retained by Covenant Players (UK) Trust. Purchase costs are listed as a liability as per instructions from the Independent Examiner.

COVENANT PLAYERS (UK) TRUST Registered Charity No. 1059359
Accounts for the Year to 31 December 2020
Receipts and Payments Accounts

DEACONS FUND (Restricted) Note 6

Income Receipts	2020	2019
Donations from Covenant Players Europe	29.60	133.91
Transfers from General Fund	<u>0.00</u>	<u>456.15</u>
Total Income Receipts	29.60	590.06
Payments		
Direct Charitable Expenditure:		
Grants to Individuals	111.60	65.17
Grants to Covenant Players International	0.00	0.00
Transfers to General Fund	<u>0.00</u>	<u>0.00</u>
Total Payments	111.60	65.17
Net Income	- 82.00	524.89
Opening Balance	2,136.19	1,611.30
Closing Balance	2,054.19	2,136.19

OVERSEAS MISSION FUND (Restricted) Note 7

Income Receipts		
Transfers from General Fund (for January 2020)	437.00	6,140.37
Transfer from Travel (R)	0.00	0.00
Donations	<u>586.92</u>	<u>0.00</u>
Total Income Receipts	1,023.92	6,140.37
Payments		
Grants to Overseas Mission	45.46	0.00
Transfer to Travel (R) Fund (January 2020)	0.00	3,182.78
Transfer to General for ATF (January 2020)	<u>594.85</u>	<u>1,117.16</u>
Total Payments	640.31	4,299.94
Net Income	383.61	1,840.43
Opening Balance	1,962.77	122.34
Note 7a Closing Balance	2,346.38	1,962.77

Note 6 The Deacons Fund is administered by an appointed body of Deacons from Covenant Players Europe. Monies are disbursed as directed by the Deacons.

Note 7 The Overseas Mission Fund is for monies given to support Covenant Players' mission needs overseas.

Note 7a These monies are designated for January 2020 Training in North America.

COVENANT PLAYERS (UK) TRUST Registered Charity No. 1059359
Accounts for the Year to 31 December 2020
Receipts and Payments Accounts

ST. LUKE'S FUND (Restricted) Note 8

Income Receipts	2020	2019
Donations	<u>76.80</u>	<u>0.00</u>
Total Income Receipts	76.80	0.00
Payments		
Health Needs	<u>0.00</u>	<u>0.00</u>
Total Payments	0.00	0.00
Net Income	76.80	0.00
Opening Balance	15.00	15.00
Closing Balance	91.80	15.00

ST. STEPHEN'S FUND (Restricted) Note 9

Income Receipts		
Donations	7,153.60	4,656.72
Tax Reclaimed	75.00	75.00
Transfers from General Fund	<u>683.00</u>	<u>0.00</u>
Total Income Receipts	7,911.60	4,731.72
Payments		
Direct Charitable Expenditure:		
Grants to Individuals	8,111.53	4,164.84
Grants to Units	500.00	0.00
Grants to Covenant Players International	0.00	0.00
Transfers to General Fund	<u>0.00</u>	<u>0.00</u>
Total Payments	8,611.53	4,164.84
Net Income	- 699.93	566.88
Opening Balance	1,997.89	1,431.01
Closing Balance	1,297.96	1,997.89

Note 8 The St. Luke's Fund is for the benefit of Covenant Player missionaries' health needs.

Note 9 The St. Stephen's Fund, formerly the Missioner Support Fund, is for the benefit of Covenant Player missionaries, mostly individual needs, but occasionally for group needs as desired by the donor.

COVENANT PLAYERS (UK) TRUST Registered Charity No. 1059359
Accounts for the Year to 31 December 2020
Receipts and Payments Accounts

SOUND EQUIPMENT FUND (Restricted) Note 10

Income Receipts	2020	2019
Donations	0.00	0.00
Transfers from General Fund	<u>0.00</u>	<u>0.00</u>
Total Income Receipts	0.00	0.00
Payments		
Repair and Maintenance	<u>0.00</u>	<u>0.00</u>
Total Payments	0.00	0.00
Net Income	0.00	0.00
Opening Balance	1.00	1.00
Closing Balance	1.00	1.00

TRAVEL FUND (Restricted) Note 11

Income Receipts		
Donations	0.00	0.00
Transfer from Overseas Mission Fund (January 2020)	0.00	3,182.78
Tax Reclaimed	<u>0.00</u>	<u>0.00</u>
Total Income Receipts	0.00	3,182.78
Payments		
Direct Charitable Expenditure:		
Grants to Covenant Players International (Travel)	0.00	0.00
Travel	0.00	3,182.78
Transfer to General Fund (ATF)	0.00	0.00
Transfer to OMF (for January 2020)	<u>0.00</u>	<u>0.00</u>
Total Payments	0.00	3,182.78
Net Income	0.00	0.00
Opening Balance	0.00	0.00
Closing Balance	0.00	0.00

Note 10 The Sound Equipment Fund is for the repair and purchase of sound equipment for the use of the ministry, particularly the "Catalysts" music ministry.

Note 11 The Travel Fund is for monies raised to get CP missionaries to their mission areas, or for other special travel needs where the expense originates with Covenant Players (UK) Trust.

COVENANT PLAYERS (UK) TRUST Registered Charity No. 1059359
Accounts for the Year to 31 December 2020
Receipts and Payments Accounts

VEHICLE PURCHASE AND REPAIR FUND (Restricted) Note 12

Income Receipts	2020	2019
Donations	200.00	112.70
Transfers from General Fund	0.00	201.54
Tax Reclaimed	<u>0.00</u>	<u>0.00</u>
Total Income Receipts	200.00	314.24
 Payments		
Direct Charitable Expenditure:		
Vehicle Repairs	0.00	1,873.68
Purchase of Vehicle	0.00	0.00
Grant to Covenant Players Europe (Vehicle)	0.00	0.00
Transfers to General Fund – VITAL*	<u>0.00</u>	<u>0.00</u>
Total Payments	0.00	1,873.68
Net Income	200.00	-1,559.44
Opening Balance	-1,375.08	184.36
Closing Balance	-1,175.08	-1,375.08

EQUIPMENT FUND (Restricted) Note 13

Income Receipts		
Equipment Donations	0.00	0.00
Transfers from General Fund	<u>0.00</u>	<u>0.00</u>
Total Income Receipts	0.00	0.00
 Payments		
Equipment Purchases	0.00	0.00
Transfers to General Fund	<u>0.00</u>	<u>0.00</u>
Total Payments	0.00	0.00
Net Income	0.00	0.00
Opening Balance	0.00	0.00
Closing Balance	0.00	0.00

Note 12 The Vehicle Purchase and Repair Fund has two functions. On the road, it is mainly used for repairs to unit vehicles. From the office, it is used for purchasing and maintaining vehicles.

*VITAL = Vehicle Insurance, Tax and Licensing Fund

Note 13 The Equipment Fund was established in 2003 for donated funds for the purchase of ministry-related equipment, especially computer/IT equipment.

COVENANT PLAYERS (UK) TRUST Registered Charity No. 1059359
Accounts for the Year to 31 December 2020
Receipts and Payments Accounts

FINANCIAL REPORT

Financial Summary for the year ended 31 December 2020

Statement of Assets and Liabilities

Monetary Assets:

Bank Deposits	£9,344.92
Petty Cash	<u>£26.15</u>
Total Monetary Assets:	£9,371.07

Liabilities

14 payments owing on photocopier (ends June 2024)	£3,208.80
(copier and contract as of July 2019 @ £191.00 + 20% VAT per quarter = £229.20)	

Non-monetary Assets for use in direct charitable activity:

Vehicle Fleet

Ford Torneo Connect (March 2016) CK16 LLV purchased in full from October 2016 to March 2017 with (R) donations received for that purpose. Total paid: **£18,007.77**

Covenant Players has the use of **1** other vehicle:

Ford Fiesta Diesel (2012) DK12 VGC (Allen)

SCRAPPED:

Ford Focus Petrol (2000) W452 VVW – purchased for **£250.00** in November 2017 (Allen)

Sound Equipment

4 microphones (purchased 1997 for approximately £168.00)

2 speakers (purchased 2002 for £166.00)

Mixer/amplifier 9 channel (donated 2000 from Covenant Players Europe)

Resources (from 2008)

17 Playbooks = cost £18.88

63 Music CDs = cost £293.68

Equipment for use in support activities of the charity:

3 telephones and answering machine (purchased in 2012 for £74.99)

1 shredder (purchased in 2006 for £19.99)

Telephones, desks, filing cabinets, office chairs (purchased 1990-2012 value £0.00)

2 Fax Machines (Value £0.00)

Second-hand household furniture (donated and purchased through the years value £0.00)

Report prepared by:

Deborah Allen

29.10.2021

Deborah Allen, National Director

(Date)

Geoffrey Allen

29.10.2021

Geoffrey Allen, National Director

(Date)

Approved by the Trustees and signed on their behalf by:

Eileen Lock

29.10.2021

Trustee

(Date)

COVENANT PLAYERS (UK) TRUST Registered Charity No. 1059359
Accounts for the Year to 31 December 2020
Receipts and Payments Accounts

Financial Summary for the year ending 31 December 2020

Income	2020	2019
Donations	6,104.53	13,992.11
Performances	2,045.00	8,811.64
Sponsorships	0.00	0.00
Grants	0.00	0.00
Reclaimed Tax	1,593.55	1,013.13
Fundraising appeals and events	15,430.83	14,557.59
Advertising sales	0.00	0.00
Income from assets	.06	.12
Books and CDs	<u>0.00</u>	<u>0.00</u>
TOTAL INCOME	25,173.97	38,374.59
Expenditure		
Personnel costs (6 workers)	0.00	3,256.00
Presentation costs		
Food and Lodging	296.83	519.46
Travel	2,879.91	9,899.74
Vehicles	2,960.42	6,284.98
Support costs	3,583.83	3,598.63
Covenant Players International	2,348.93	6,101.18
Donations	8,723.13	4,230.01
Fundraising and publicity	90.00	550.32
Administration and management	2,546.97	3,029.72
Purchase of vehicles and equipment	<u>0.00</u>	<u>0.00</u>
TOTAL EXPENDITURE	23,430.02	37,470.04
Net income (deficit)	1,743.95	904.55
Bank balances end of year	9,371.07	7,627.12



Section A

Independent Examiner's Report

**Report to the trustees/
members of**

Covenant Players (UK) Trust

**On accounts for the year
ended**

31-Dec-2020

**Charity no
(if any)**

1059359

Set out on pages

No additional sheets

I report to the trustees on my examination of the accounts of the above charity ("the Trust") for the year ended 31/12/2020.

**Responsibilities and
basis of report**

As the charity trustees of the Trust, you are responsible for the preparation of the accounts in accordance with the requirements of the Charities Act 2011 ("the Act").

I report in respect of my examination of the Trust's accounts carried out under section 145 of the 2011 Act and in carrying out my examination, I have followed the applicable Directions given by the Charity Commission under section 145(5)(b) of the Act.

**Independent
examiner's statement**

I have completed my examination. I confirm that no material matters have come to my attention in connection with the examination which gives me cause to believe that in, any material respect:

- accounting records were not kept in accordance with section 130 of the Act or
- the accounts do not accord with the accounting records

I have no concerns and have come across no other matters in connection with the examination to which attention should be drawn in order to enable a proper understanding of the accounts to be reached.

Signed:

KR Bailey

Date:

15/10/2021

Name:

Kenneth Robin Bailey

**Relevant professional
qualification(s) or body
(if any):**

Address:

Pembroke House, Lower Park Terrace,

Pontypool

NP4 6LB

Only complete if the examiner needs to highlight matters of concern (see CC32, Independent examination of charity accounts: directions and guidance for examiners).

Give here brief details of any items that the examiner wishes to disclose.

